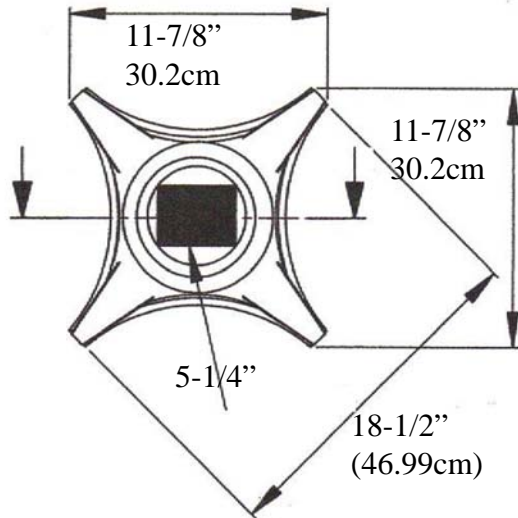




Scamozzi Cap

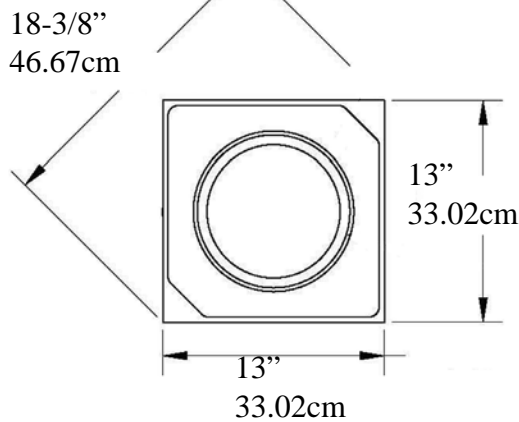


Scamozzi Capital  
 Volute Height  
 8-3/4" (22.2cm) =>  
 Astragal to Top  
 3-3/4" (9.5cm)  
 Resides on Astragal

Top of Shaft  
 Inside Diameter  
 6-1/4" (15.87cm)  
 Outside Diameter  
 7-1/2" (19cm)

Installer required to  
 cut 5-7/8" off the top  
 of the shaft to the  
 astragal to seat the  
 scamozzi capital on  
 the astragal

Attic Base

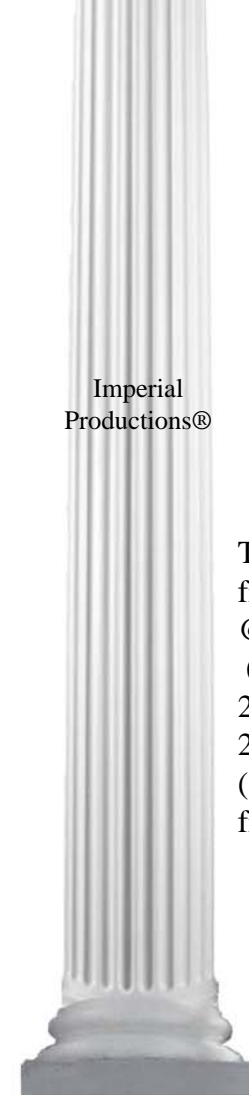


Bottom of Shaft  
 Inside Diameter  
 8-3/4" (22.2cm)

Outside Diameter  
 9-3/4" (24.76cm)

Hollow Attic Base  
 13" x 13" (33cm) =>  
 H) 5-5/8" (14.28cm)  
 Shaft goes in Hole

Weight 126-1/2 lbs  
 Load Bearing to 14,000 lbs (6.35m tons)  
 approx material thickness 3/8" (.9525cm)



Total Height

117-7/8" 299.4cm

Taper Starts  
 from Bottom  
 @ 32"  
 (81.28cm)  
 20 Flutes start  
 22-1/2"  
 (57.15cm)  
 from bottom

\* drawing not to scale

- \* Includes 3 Parts - Sold as Unfinished Building Components - assembly & hardware by others, drawing not to scale
- \* Load from lintels must be centered on shaft to avoid uneven load displacement - Substrate must be even
- For any Load Application consult with your structural engineer for suitability and local building codes requirements
- \* To avoid Lateral Movement: Affix Shaft Bottom to substrate with L Brackets hidden by Base, Affix Top of Shaft to Lintel
- \* All specifications subject to change without notice, Final products & Measurements may vary from this brochure





# Request for Quote

## Download and Auto Fill PDF

Name / Company \_\_\_\_\_

Phone \_\_\_\_\_ Email \_\_\_\_\_

Billing Address \_\_\_\_\_

City \_\_\_\_\_ State / Prov \_\_\_\_\_

ZIP / PCode \_\_\_\_\_

Ship to Address \_\_\_\_\_

City \_\_\_\_\_ State / Prov \_\_\_\_\_

ZIP / PCode \_\_\_\_\_

Product Code \_\_\_\_\_ Quantity \_\_\_\_\_

Note: \_\_\_\_\_



Imperial Productions®

1-800-399-7585

Imperial Productions & Distribution Inc.

email sales@imperialproductions.com copyright 2016 MRDCI All Rights Reserved

APR-24