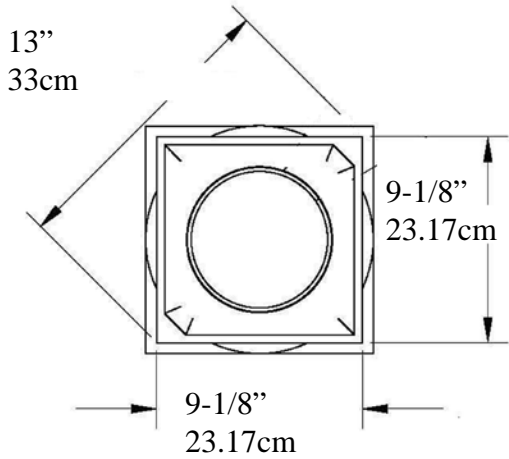




Doric Column Poly-Comp™

IPPC1008S-ABDC Smooth Tapered Whole Attic Base, Doric Cap

Doric Capital

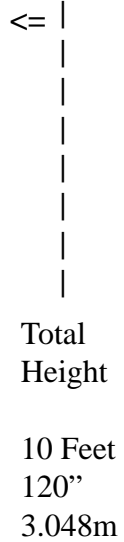


Cap 2-5/8" (66.6cm)=>

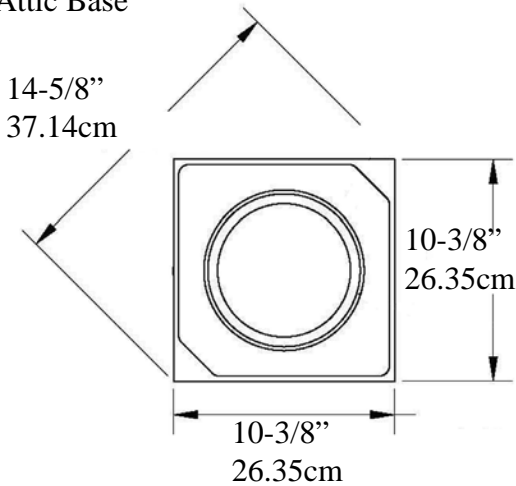
Astragal =>

Top of Column
Inside Diameter
5-3/8" (13.65cm)

Outside Diameter
6-1/8" (15.55cm)



Attic Base



Bottom of Column
Inside Diameter
6-7/8" (17.46cm)

Outside Diameter
7-5/8" (19.36cm)

Taper Ends
from Bottom
@ 38"
96.5cm

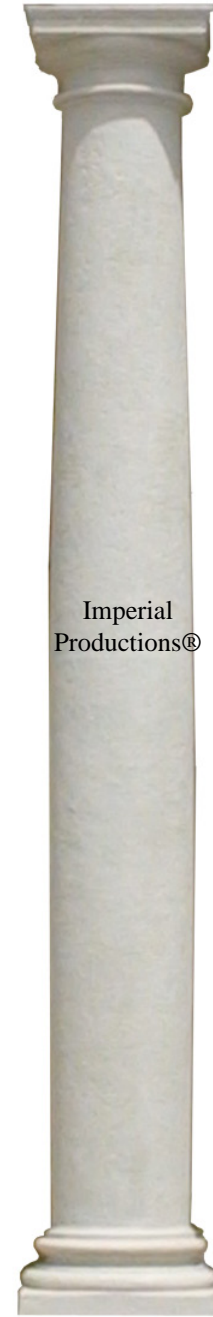
Imperial
Productions®

Weight 68 lb (32.65 kg)
Load Bearing to 10,000lbs (4.5359m tons)
approx material thickness 3/8" (.9525cm)
Load on center of shaft only

Torus & Plinth
4-5/8" (11.74cm)

=>

=>



<=

* *assembly required, drawing not to scale*

* *For Load Application check with your structural engineer for suitability in your local area*

* All specifications subject to change without notice, Final products & Measurements may vary from this brochure



Imperial Productions®

1-800-399-7585

Imperial Productions & Distribution Inc Toronto / New York

email sales@imperialproductions.com copyright 2016 MRDCI All Rights Reserved

JUL-21



Imperial Productions® Request for Quote

Download, Fill-in & Email to sales@imperialproductions.com

Name / Company: _____

Phone _____ Email _____

Billing Address: _____

City: _____ Prov / State _____

PC / Zip Code _____

Ship to Address: _____

City: _____ Prov / State _____

PC / Zip Code _____

Product Code: _____

Quantity: _____

Notes: _____



Imperial Productions®

1-800-399-7585

Imperial Productions & Distribution Inc Toronto / New York

email sales@imperialproductions.com copyright 2016 MRDCI All Rights Reserved