

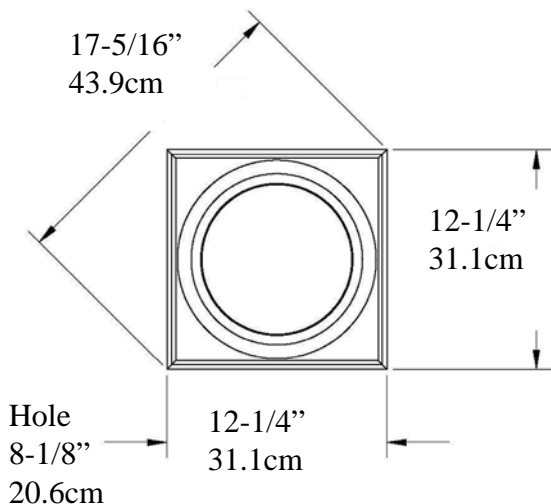


Doric Column

Imperial Productions®

IPPC0910S-ABDC PolyComp™

Doric Capital



Doric Capital Height
3-1/2" (9cm) =>

Top of Column
Inside Diameter
7-1/4" (18.41cm)

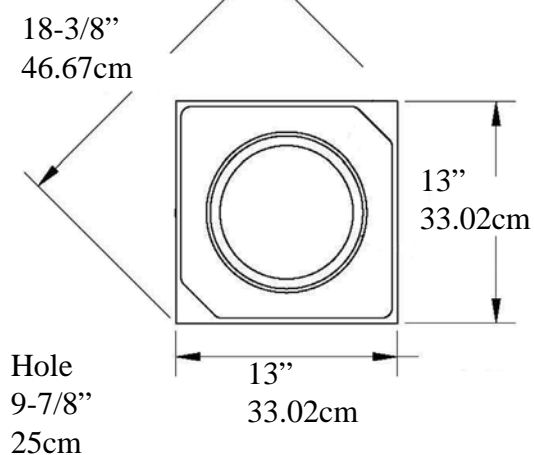
Outside Diameter
8" (20.32cm)

Bottom of Column
Inside Diameter
8-7/8" (22.54cm)

Outside Diameter
9-5/8" (24.44cm)

Taper
Ends
from
Bottom
@ 24"
(60.96cm)

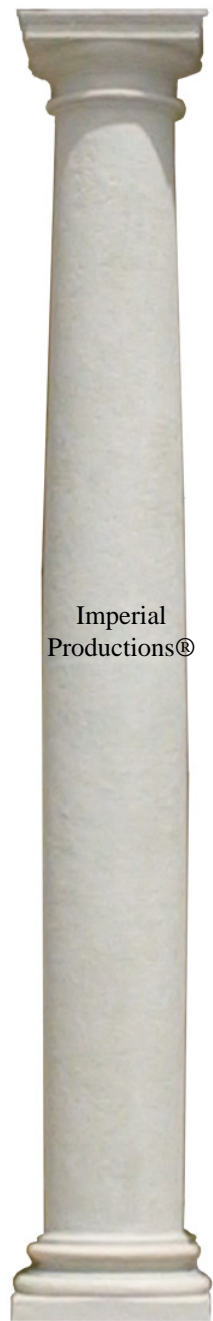
Attic Base



Weight 85 lb (38.5kg)

Load Bearing to 14,000 lbs (6.35m tons)
approx material thickness 3/8" (.9525cm)

Attic Base & Plinth
5-5/8" (14.28cm)



<=>|
Total
Height
9 Feet
(108")
2.743m

** drawing not to scale*

- * Includes 3 Parts - Sold as Unfinished Building Components - assembly & hardware by others, drawing not to scale
- * Load from lintels must be centered on shaft to avoid uneven load displacement - Substrate must be even
- For any Load Application consult with your structural engineer for suitability and local building codes requirements
- * To avoid Lateral Movement: Affix Shaft Bottom to substrate with L Brackets hidden by Base, Affix Top of Shaft to Lintel
- * All specifications subject to change without notice, Final products & Measurements may vary from this brochure



Imperial Productions®

1-800-399-7585

Imperial Productions & Distribution Inc.

email sales@imperialproductions.com copyright 2016 MRDCI All Rights Reserved

APR-24