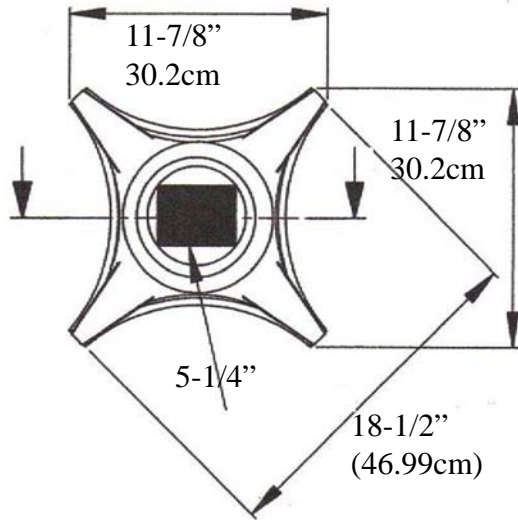




Scamozzi Cap

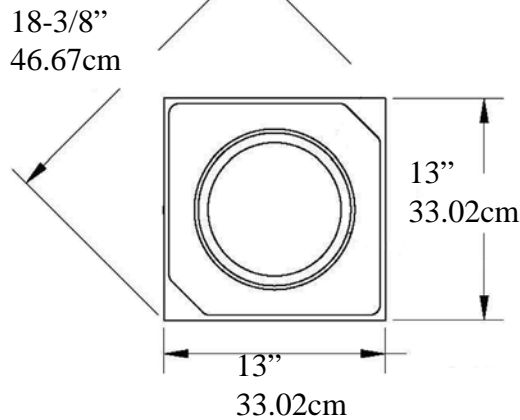


Scamozzi Capital
 Volute Height
 8-3/4" (22.2cm) =>
 Astragal to Top
 3-3/4" (9.5cm)
 Resides on Astragal

Top of Shaft
 Inside Diameter
 7-1/4" (18.41cm)
 Outside Diameter
 8" (20.32cm)

Installer required to
 cut 5-7/8" off the top
 of the shaft to the
 astragal to seat the
 scamozzi capital on
 the astragal

Attic Base



Bottom of Column
 Inside Diameter
 8-7/8" (22.54cm)

Outside Diameter
 9-5/8" (24.44cm)

Hollow Attic Base
 13" x 13" (33cm) =>
 H) 5-5/8" (14.28cm)
 Shaft goes in Hole =>

Weight 106-1/2 lbs (48.3kg)
 Load Bearing to 14,000 lbs (6.35m tons)
 approx material thickness 3/8" (.9525cm)



Total Height
 93-7/8"
 238.4cm

Taper Ends
 from Bottom
 @ 36"
 (91.44cm)

* drawing not to scale

- * Includes 3 Parts - Sold as Unfinished Building Components - assembly & hardware by others, drawing not to scale
- * Load from lintels must be centered on shaft to avoid uneven load displacement - Substrate must be even
- For any Load Application consult with your structural engineer for suitability and local building codes requirements
- * To avoid Lateral Movement: Affix Shaft Bottom to substrate with L Brackets hidden by Base, Affix Top of Shaft to Lintel
- * All specifications subject to change without notice, Final products & Measurements may vary from this brochure





Request for Quote

Download and Auto Fill PDF

Name / Company _____

Phone _____ Email _____

Billing Address _____

City _____ State / Prov _____

ZIP / PCode _____

Ship to Address _____

City _____ State / Prov _____

ZIP / PCode _____

Product Code _____ Quantity _____

Note: _____



Imperial Productions®

1-800-399-7585

Imperial Productions & Distribution Inc.

email sales@imperialproductions.com copyright 2016 MRDCI All Rights Reserved

APR-24