



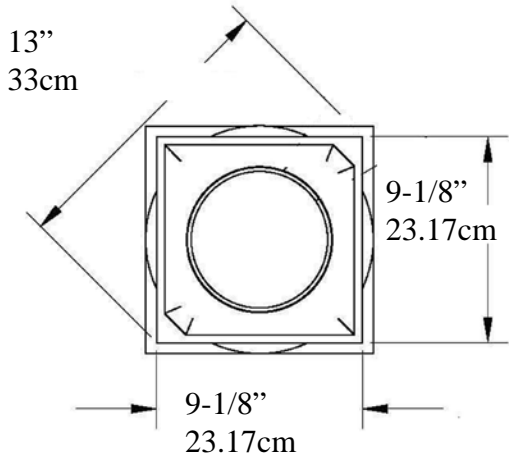
Imperial Productions®

Doric Load Bearing Column

IPPC0808S-ABDC

PolyComp™

Doric Capital



Cap 2-5/8" (66.6cm)=>

Integrated Astragal =>

Top of Column

Inside Diameter

5-3/8" (13.65cm)

Outside Diameter

6-1/8" (15.55cm)

Taper Ends

from Bottom

@ 31"

(78.74cm)

Bottom of Column

Inside Diameter

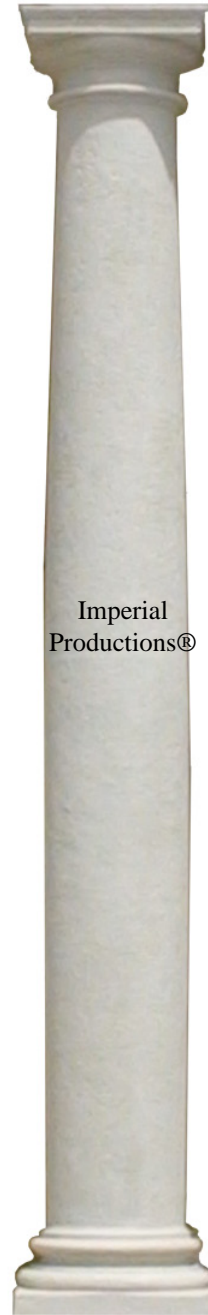
6-7/8" (17.46cm)

Outside Diameter

7-5/8" (19.36cm)

Torus & Plinth =>

4-5/8" (11.74cm)



<=

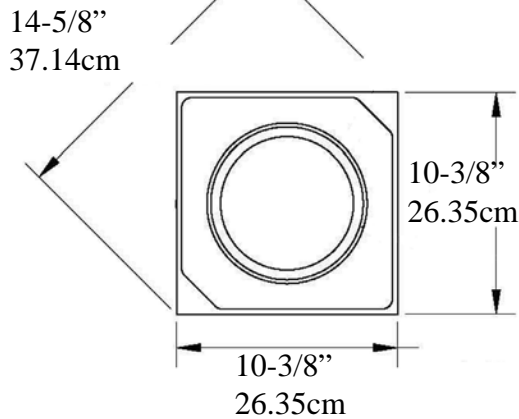
Total Height

8 Feet (96")

2.438m

<=

Attic Base



Weight 63 lb (28.57 kg)

Load Bearing to 10,000lbs (4.5359m tons)

approx material thickness 3/8" (.9525cm)

Load on center of shaft only

* Includes 3 Parts - Sold as Unfinished Building Components - assembly & hardware by others, drawing not to scale

* Load from lintels must be centered on shaft to avoid uneven load displacement - Substrate must be even

For any Load Application consult with your structural engineer for suitability and local building codes requirements

* To avoid Lateral Movement: Affix Shaft Bottom to substrate with L Brackets hidden by Base, Affix Top of Shaft to Lintel

* All specifications subject to change without notice, Final products & Measurements may vary from this brochure



Imperial Productions®

1-800-399-7585

Imperial Productions & Distribution Inc.

email sales@imperialproductions.com copyright 2016 MRDCI All Rights Reserved

APR-24