



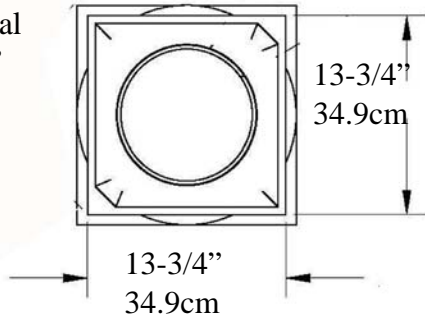
# Tuscan Tapered Column

## IPTUS1212S-TCTB

## FRP-PolyComp™

### Tuscan Capital EconPolymertm

Diagonal  
18-3/4"  
47.6cm



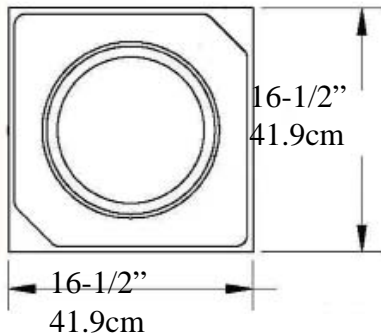
Cap 4" (10cm)=>

Top of Shaft  
Outside Diameter  
9-1/4" (24.4cm)

Minimum  
Inside Diameter  
8" (20.3cm)

### Tuscan Base EconPolymertm

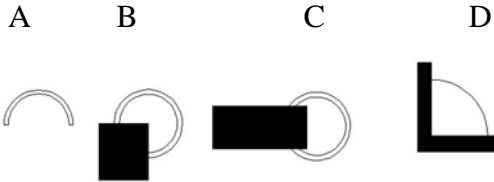
Diagonal  
23-1/4"  
59cm



Taper Ends  
from Bottom  
40"  
101.6cm

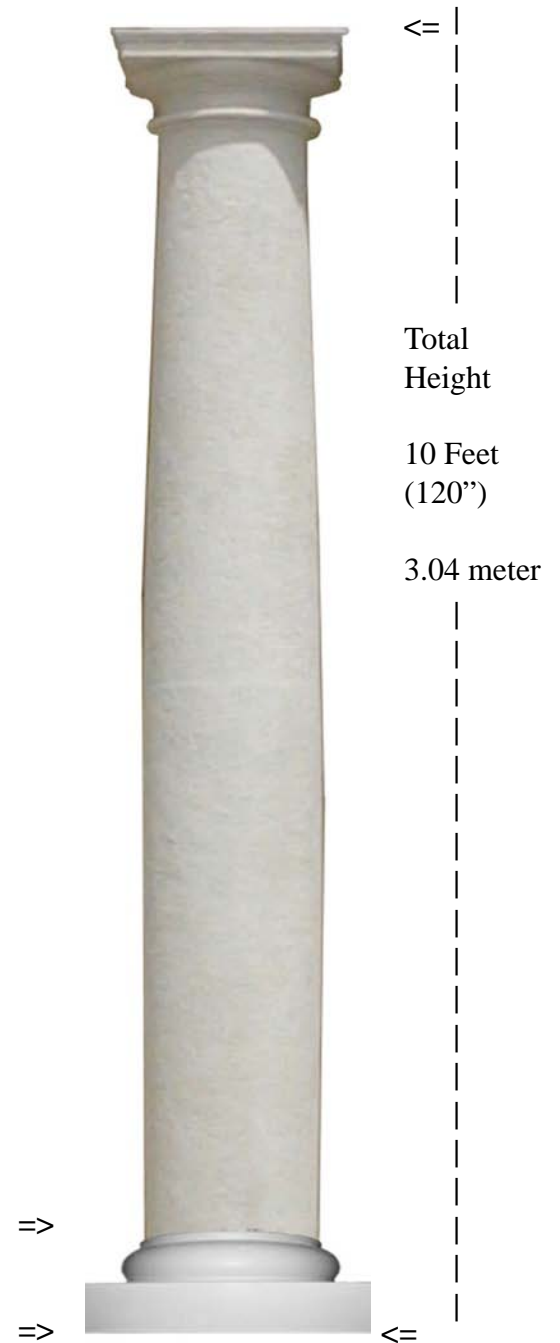
Bottom of Column  
Outside Diameter  
11-5/8"  
29.5cm

### Optional Cuts



- A = Half column
- B = 3/4 Outside Corner
- C = Wall Cover Engaged
- D = 1/4 Column Inside Corner
- E = Engaged any percentage

Base & Plinth  
6" (15.2cm)



Weight 132 lb (59.8 Kg)  
Load o/c to 18,000lbs (8.16m tons)

\* *assembly required, drawing not to scale*

\* *For Load Application check with your structural engineer for suitability in your local area*

\* All specifications subject to change without notice, Final products & Measurements may vary from this brochure



Imperial Productions®

1-800-399-7585

Imperial Productions & Distribution Inc.

email sales@imperialproductions.com copyright 2016 MRDCI All Rights Reserved

SEP-24



# REQUEST FOR COLUMN QUOTE

## Download and Auto Fill

Name / Company \_\_\_\_\_

Contact Name: \_\_\_\_\_

Phone # \_\_\_\_\_ Email: \_\_\_\_\_

Bill To Address  
\_\_\_\_\_  
\_\_\_\_\_

ShipTo Address  
\_\_\_\_\_  
\_\_\_\_\_

ZIP/PC \_\_\_\_\_

ZIP/PC \_\_\_\_\_

Product Code \_\_\_\_\_

- 1) Residential
- 2) Commercial
- 3) Commercial Load Bay

# of Columns Whole \_\_\_\_\_

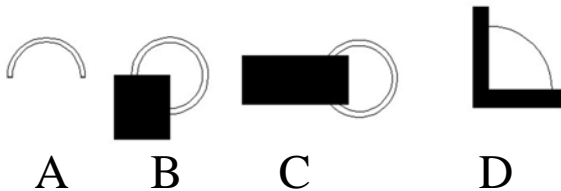
Fill in \_\_\_\_\_

# Split for Wrap (A) \_\_\_\_\_

Notes: \_\_\_\_\_

# Split for Engaged (A) \_\_\_\_\_

\_\_\_\_\_  
\_\_\_\_\_



# Split B \_\_\_\_\_

# Split C \_\_\_\_\_

# Split D \_\_\_\_\_

Date: \_\_\_\_\_



Imperial Productions®

1-800-399-7585

Imperial Productions & Distribution Inc.

email sales@imperialproductions.com copyright 2016 MRDCI All Rights Reserved