

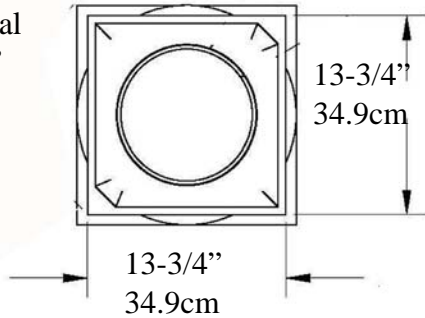


Tuscan Tapered Smooth Column

IPTUS1012S-TCTB FRP-PolyComp™

Tuscan Capital EconPolymertm

Diagonal
18-3/4"
47.6cm



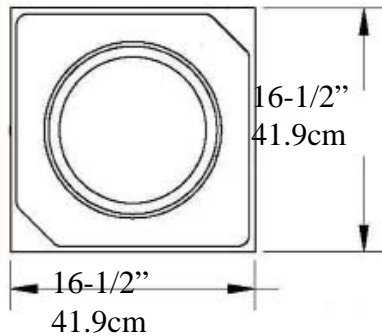
Cap 4" (10cm)=>

Top of Shaft
Outside Diameter
9-1/4" (24.4cm)

Minimum
Inside Diameter
8" (20.3cm)

Tuscan Base EconPolymertm

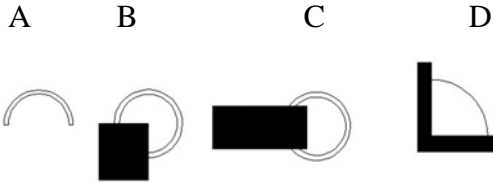
Diagonal
23-1/4"
59cm



Taper Ends
from Bottom
40"
101.6cm

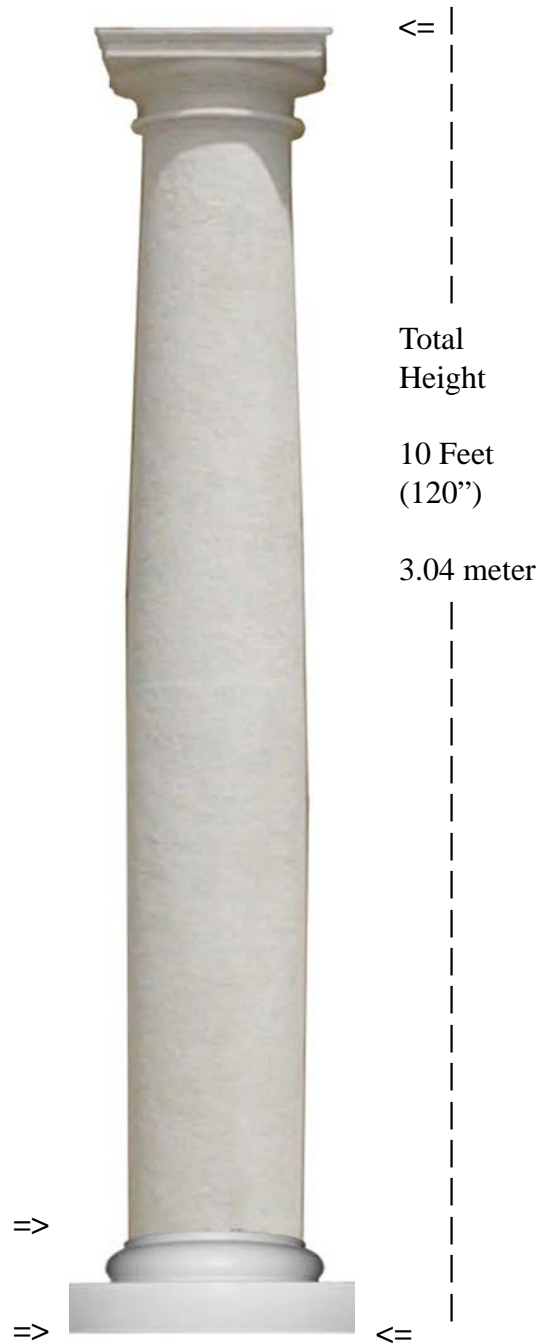
Bottom of Column
Outside Diameter
11-5/8"
29.5cm

Optional Cuts



- A = Half column
- B = 3/4 Outside Corner
- C = Wall Cover Engaged
- D = 1/4 Column Inside Corner
- E = Engaged any percentage

Base & Plinth
6" (15.2cm)



Weight 132 lb (59.8 Kg)
Load o/c to 18,000lbs (8.16m tons)

* *assembly required, drawing not to scale*

* *For Load Application check with your structural engineer for suitability in your local area*

* All specifications subject to change without notice, Final products & Measurements may vary from this brochure



Imperial Productions®

1-800-399-7585

Imperial Productions & Distribution Inc.

email sales@imperialproductions.com copyright 2016 MRDCI All Rights Reserved

SEP-24



REQUEST FOR COLUMN QUOTE

Download and Auto Fill

Name / Company _____

Contact Name: _____

Phone # _____ Email: _____

Bill To Address

ShipTo Address

ZIP/PC _____

ZIP/PC _____

Product Code _____

- 1) Residential
- 2) Commercial
- 3) Commercial Load Bay

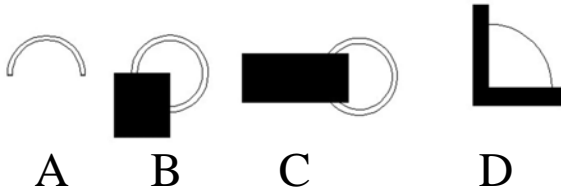
of Columns Whole _____

Fill in _____

Split for Wrap (A) _____

Notes: _____

Split for Engaged (A) _____



Split B _____

Split C _____

Split D _____

Date: _____



Imperial Productions®

1-800-399-7585

Imperial Productions & Distribution Inc.

email sales@imperialproductions.com copyright 2016 MRDCI All Rights Reserved