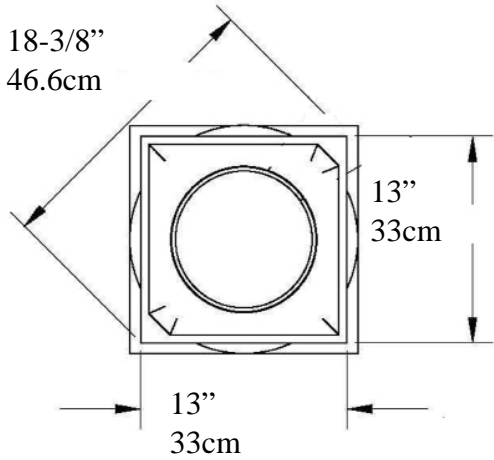




Tuscan Non-Tapered Smooth Column

IPTUS1010SNT-TCTB FRP-PolyComp™

Tuscan Capital EconPolymertm



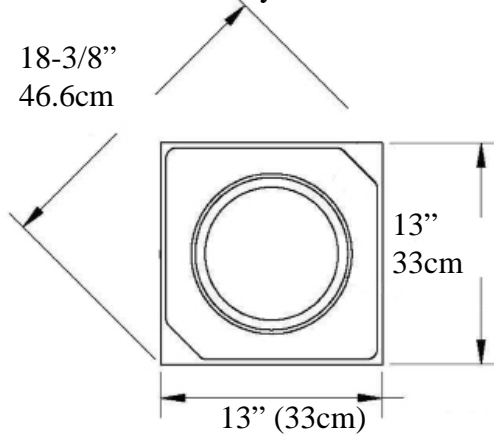
5" (12.7cm)

Optional Astragal=>

Top of Shaft
Minimum
Inside Diameter
8-3/4" (22.2cm)

Outside Diameter
9-3/4" (27.7cm)

Tuscan Base EconPolymertm



Bottom of Column
Outside Diameter
9-3/4"
27.7cm

Optional Cuts

A B C D



- A= Half column
- B = 3/4 Outside Corner
- C = Wall Cover Engaged
- D = 1/4 Column Inside Corner
- E = Engaged any percentage

Base & Plinth =>
5" (12.7cm)

=>



<=

Total Height

10 Feet
120"
3.048
metre

Shaft weight 111 lbs (50.4kg)
Center Loads to 14,000lbs (6.35m tons)

* *assembly required, drawing not to scale*

* *For Load Application check with your structural engineer for suitability in your local area*

* All specifications subject to change without notice, Final products & Measurements may vary from this brochure



Imperial Productions®

1-800-399-7585

Imperial Productions & Distribution Inc.

email sales@imperialproductions.com copyright 2016 MRDCI All Rights Reserved

SEP-24



REQUEST FOR COLUMN QUOTE

Download and Auto Fill

Name / Company _____

Contact Name: _____

Phone # _____ Email: _____

Bill To Address

ShipTo Address

ZIP/PC _____

ZIP/PC _____

Product Code _____

- 1) Residential
- 2) Commercial
- 3) Commercial Load Bay

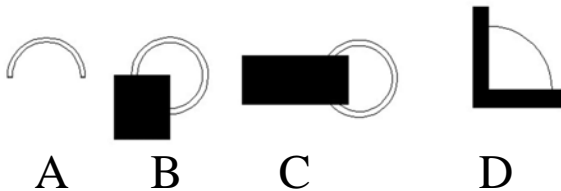
of Columns Whole _____

Fill in _____

Split for Wrap (A) _____

Notes: _____

Split for Engaged (A) _____



Split B _____

Split C _____

Split D _____

Date: _____



Imperial Productions®

1-800-399-7585

Imperial Productions & Distribution Inc.

email sales@imperialproductions.com copyright 2016 MRDCI All Rights Reserved