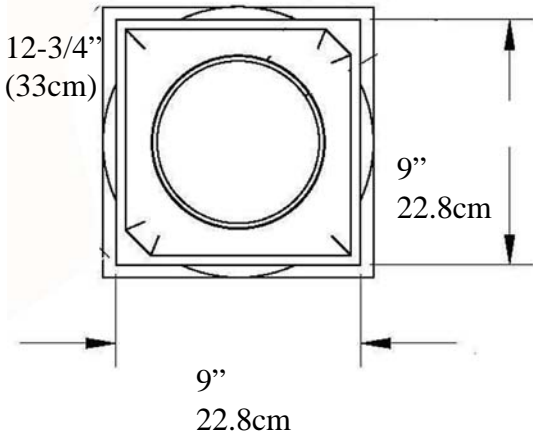




Tuscan Column

IPTUS1008S-TCTB FiberComp™

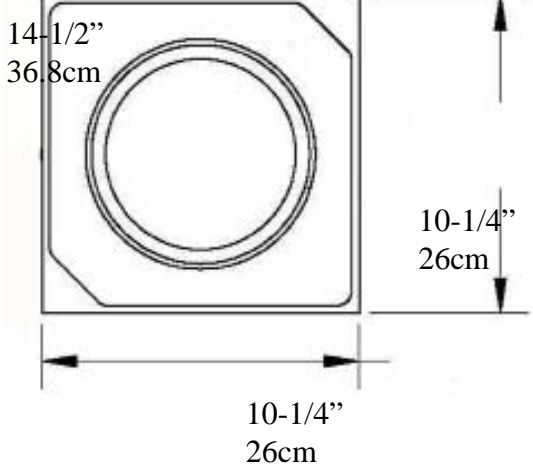
Tuscan Capital EconPolymert™



Cap 2-5/8" (6.6cm)=>

Top of Shaft
Minimum
Inside Diameter
5" (12.7cm)
Outside Diameter
6-1/4" (15.8cm)

Tuscan Base EconPolymert™



Taper Ends
from Bottom
40"
101.6cm

Bottom of Column
Outside Diameter
7-5/8"
19.3cm

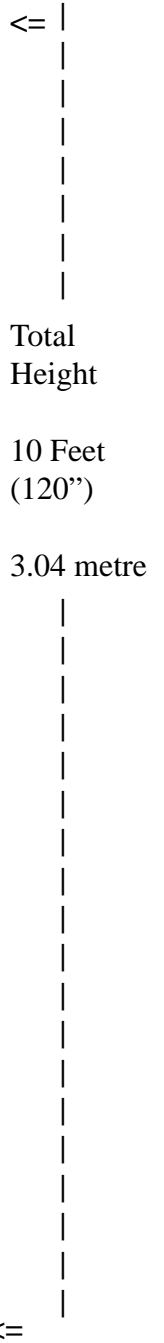
Optional Cuts

A B C D



- A= Half column
- B = 3/4 Outside Corner
- C = Wall Cover Engaged
- D = 1/4 Column Inside Corner
- E = Engaged any percentage

Base & Plinth
4" (10cm)



Weight 71 lb (32 Kg)
Load Bearing Centered 10,000lbs (4.53mt)

* *assembly required, drawing not to scale*

* *For Load Application check with your structural engineer for suitability in your local area*

* All specifications subject to change without notice, Final products & Measurements may vary from this brochure



Imperial Productions®

1-800-399-7585

Imperial Productions & Distribution Inc.

email sales@imperialproductions.com copyright 2016 MRDCI All Rights Reserved

SEP-24



REQUEST FOR COLUMN QUOTE

Download and Auto Fill

Name / Company _____

Contact Name: _____

Phone # _____ Email: _____

Bill To Address

ShipTo Address

ZIP/PC _____

ZIP/PC _____

Product Code _____

- 1) Residential
- 2) Commercial
- 3) Commercial Load Bay

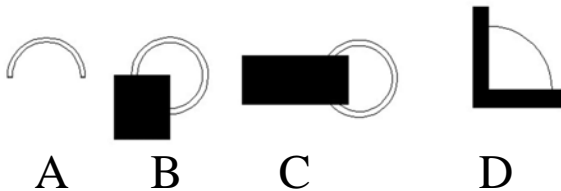
of Columns Whole _____

Fill in _____

Split for Wrap (A) _____

Notes: _____

Split for Engaged (A) _____



Split B _____

Split C _____

Split D _____

Date: _____



Imperial Productions®

1-800-399-7585

Imperial Productions & Distribution Inc.

email sales@imperialproductions.com copyright 2016 MRDCI All Rights Reserved