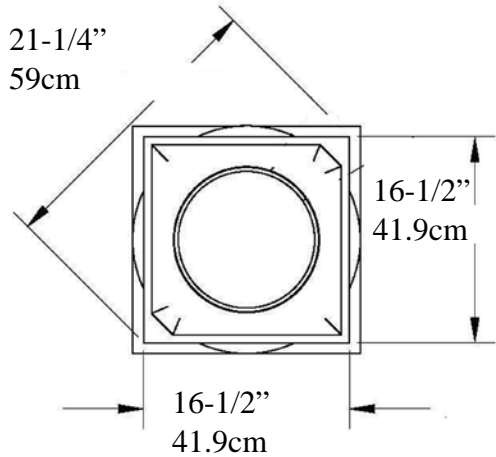




# Tuscan Non Tapered Column

## IPTUS0912SNT-TCTB FiberComp™

### Tuscan Capital EconPolymertm



Cap 6" (15.2cm) =>

Optional Astragal =>

Top of Shaft  
Minimum  
Inside Diameter  
10-3/4" (27.3cm)

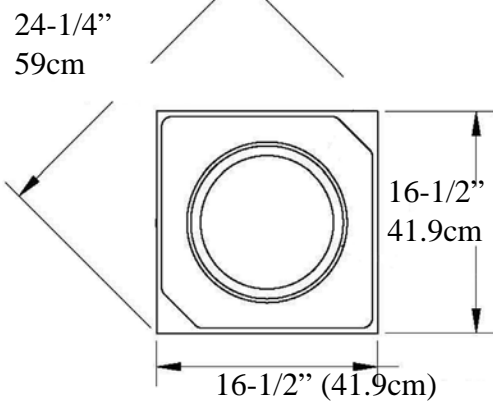
Outside Diameter  
11-3/4" (29.8cm)

Total  
Height

9 Feet  
(108")

2.74 metre

### Tuscan Base EconPolymertm



Bottom of Column  
Outside Diameter  
11-3/4"  
29.8cm

Base & Plinth  
6" (15.2cm)

Shaft weight 135 lbs (61.2cm)  
Center Loads to 18,000lbs (8.164m tons)

### Optional Cuts

A B C D



- A = Half column
- B = 3/4 Outside Corner
- C = Wall Cover Engaged
- D = 1/4 Column Inside Corner
- E = Engaged any percentage

\* *assembly required, drawing not to scale*

\* *For Load Application check with your structural engineer for suitability in your local area*

\* *All specifications subject to change without notice, Final products & Measurements may vary from this brochure*



Imperial Productions®

1-800-399-7585

Imperial Productions & Distribution Inc Toronto / New York

JUL-21

email sales@imperialproductions.com copyright 2016 MRDCI All Rights Reserved



# Imperial Productions® Request for Quote

Download, Fill-in & Email to [sales@imperialproductions.com](mailto:sales@imperialproductions.com)

Name / Company: \_\_\_\_\_

Phone \_\_\_\_\_ Email \_\_\_\_\_

Billing Address: \_\_\_\_\_

City: \_\_\_\_\_ Prov / State \_\_\_\_\_

PC / Zip Code \_\_\_\_\_

Ship to Address: \_\_\_\_\_

City: \_\_\_\_\_ Prov / State \_\_\_\_\_

PC / Zip Code \_\_\_\_\_

Product Code: \_\_\_\_\_

Quantity: \_\_\_\_\_

Notes: \_\_\_\_\_



Imperial Productions®

1-800-399-7585

Imperial Productions & Distribution Inc Toronto / New York

email [sales@imperialproductions.com](mailto:sales@imperialproductions.com) copyright 2016 MRDCI All Rights Reserved