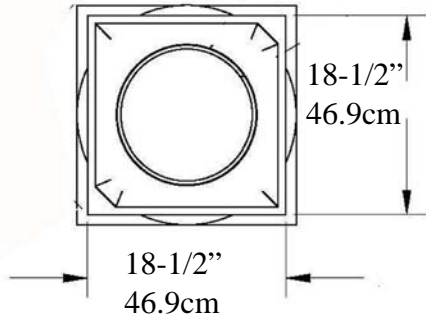




Tuscan Tapered Column

IPTUS0816S-TCTB FiberComp™

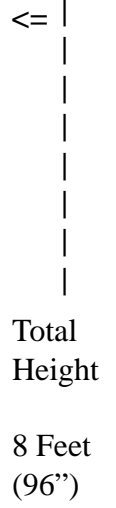
Tuscan Capital EconPolymert™



Cap 4-1/4" (10.7cm)=>

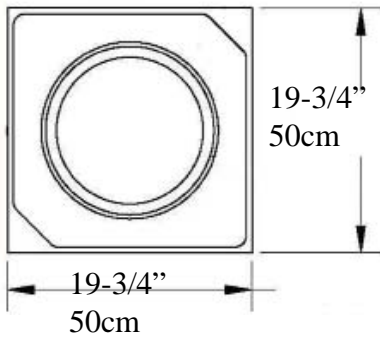
Top of Shaft
Inside Diameter
12" (30.48cm)

Minimum
Outside Diameter
13-7/8" (35.2cm)



Total Height
8 Feet (96")

Tuscan Base EconPolymert™

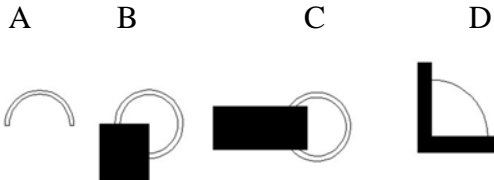


Bottom of Column
Outside Diameter
15-1/2"
39.3cm

Taper Ends
from Bottom
approximately
2/3s down
shaft

2.43 metre

Optional Cuts



- A = Half column
- B = 3/4 Outside Corner
- C = Wall Cover Engaged
- D = 1/4 Column Inside Corner
- E = Engaged any percentage

Base & Plinth
8-1/4" (20.9cm)



Weight Shaft 157 lb (71.2 Kg)
Centered Load to 20,000lbs (9.07m tons)

* *assembly required, drawing not to scale*
 * *For Load Application check with your structural engineer for suitability in your local area*
 * *All specifications subject to change without notice, Final products & Measurements may vary from this brochure*



Imperial Productions®

1-800-399-7585

Imperial Productions & Distribution Inc.

email sales@imperialproductions.com copyright 2016 MRDCI All Rights Reserved

SEP-24



REQUEST FOR COLUMN QUOTE

Download and Auto Fill

Name / Company _____

Contact Name: _____

Phone # _____ Email: _____

Bill To Address

ShipTo Address

ZIP/PC _____

ZIP/PC _____

Product Code _____

- 1) Residential
- 2) Commercial
- 3) Commercial Load Bay

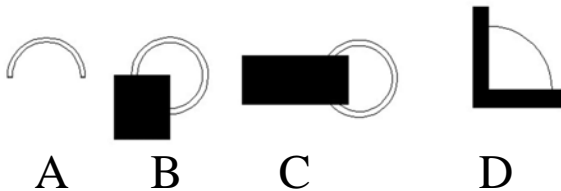
of Columns Whole _____

Fill in _____

Split for Wrap (A) _____

Notes: _____

Split for Engaged (A) _____



Split B _____

Split C _____

Split D _____

Date: _____



Imperial Productions®

1-800-399-7585

Imperial Productions & Distribution Inc.

email sales@imperialproductions.com copyright 2016 MRDCI All Rights Reserved