

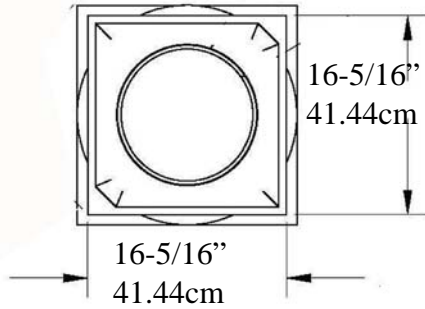


Tuscan Tapered Smooth Column

IPTUS0814S-TCTB FRP-PolyComp™

Tuscan Capital EconPolymertm

Diagonal
23"
58.4cm



Cap 4-1/4" (10.8cm)=>

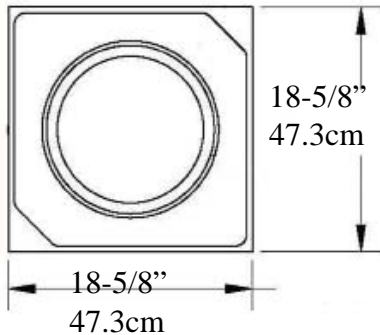
Top of Shaft
Minimum

Inside Diameter
9-1/2" (24.13cm)
Outside Diameter
11-1/2" (29.2cm)

<=
Total
Height
8 Feet
(96")

Tuscan Base EconPolymertm

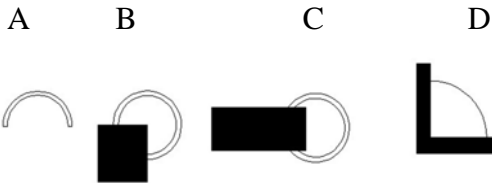
Diagonal
26-5/16"
66.8cm



Taper Ends
from Bottom
approximately
2/3s down
shaft

2.43 metre

Optional Cuts



- A= Half column
- B = 3/4 Outside Corner
- C = Wall Cover Engaged
- D = 1/4 Column Inside Corner
- E = Engaged any percentage

Bottom of Column
Outside Diameter
13-5/8"
34.6cm

Base & Plinth
7-3/4" (19.6cm)

=>
=>



<=

Weight Shaft 153 lb (69.4 Kg)
Centered Load to 20,000lbs (9.07m tons)

* *assembly required, drawing not to scale*

* *For Load Application check with your structural engineer for suitability in your local area*

* *All specifications subject to change without notice, Final products & Measurements may vary from this brochure*



Imperial Productions®

1-800-399-7585

Imperial Productions & Distribution Inc.

email sales@imperialproductions.com copyright 2016 MRDCI All Rights Reserved

SEP-24



REQUEST FOR COLUMN QUOTE

Download and Auto Fill

Name / Company _____

Contact Name: _____

Phone # _____ Email: _____

Bill To Address

ShipTo Address

ZIP/PC _____

ZIP/PC _____

Product Code _____

- 1) Residential
- 2) Commercial
- 3) Commercial Load Bay

of Columns Whole _____

Fill in _____

Split for Wrap (A) _____

Notes: _____

Split for Engaged (A) _____



Split B _____

Split C _____

Split D _____

Date: _____



Imperial Productions®

1-800-399-7585

Imperial Productions & Distribution Inc.

email sales@imperialproductions.com copyright 2016 MRDCI All Rights Reserved