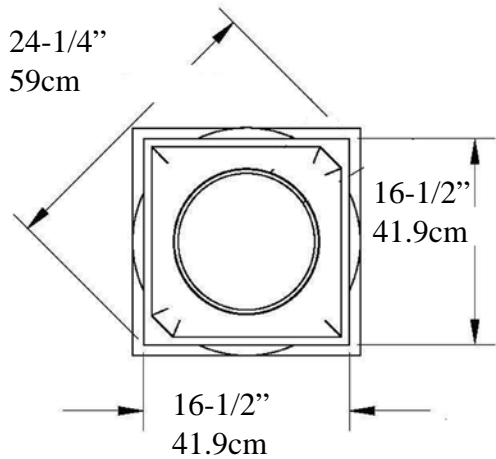




# Tuscan Non Tapered Smooth Column

## IPTUS0812SNT-TCTB FRP-PolyComp™

### Tuscan Capital EconPolymertm



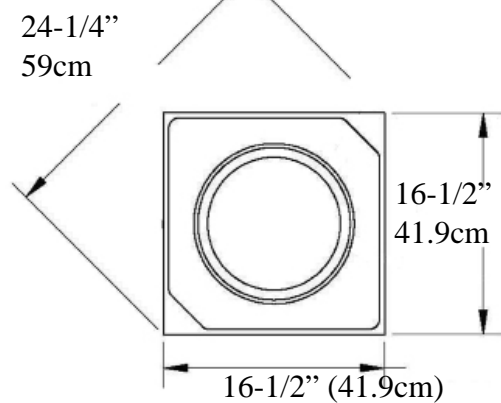
Cap 6" (15.2cm)=>

Astragal=>

Top of Shaft  
Minimum  
Inside Diameter  
10-3/4" (27.3cm)

Outside Diameter  
11-3/4" (29.8cm)

### Tuscan Base EconPolymertm



Bottom of Column  
Outside Diameter  
11-3/4"  
29.8cm

### Optional Cuts

A B C D



A= Half column

B = 3/4 Outside Corner

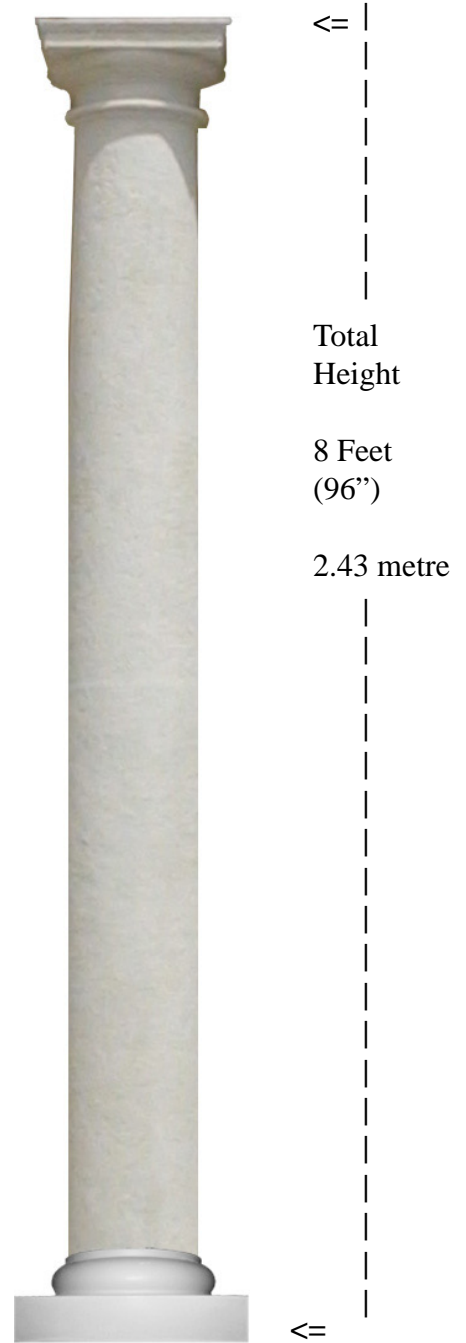
C = Wall Cover Engaged

D = 1/4 Column Inside Corner

E = Engaged any percentage

Base & Plinth =>  
6" (15.2cm)

Shaft Weight 120lbs (54.4kg)  
Center Loads to 18,000lbs (8.164m tons)



\* *assembly required, drawing not to scale*

\* *For Load Application check with your structural engineer for suitability in your local area*

\* *All specifications subject to change without notice, Final products & Measurements may vary from this brochure*



Imperial Productions®

1-800-399-7585

Imperial Productions & Distribution Inc.

email sales@imperialproductions.com copyright 2016 MRDCI All Rights Reserved

SEP-24



# REQUEST FOR COLUMN QUOTE

## Download and Auto Fill

Name / Company \_\_\_\_\_

Contact Name: \_\_\_\_\_

Phone # \_\_\_\_\_ Email: \_\_\_\_\_

Bill To Address  
\_\_\_\_\_  
\_\_\_\_\_

ShipTo Address  
\_\_\_\_\_  
\_\_\_\_\_

ZIP/PC \_\_\_\_\_

ZIP/PC \_\_\_\_\_

Product Code \_\_\_\_\_

- 1) Residential
- 2) Commercial
- 3) Commercial Load Bay

# of Columns Whole \_\_\_\_\_

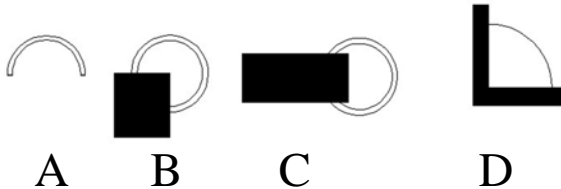
Fill in \_\_\_\_\_

# Split for Wrap (A) \_\_\_\_\_

Notes: \_\_\_\_\_

# Split for Engaged (A) \_\_\_\_\_

\_\_\_\_\_  
\_\_\_\_\_



# Split B \_\_\_\_\_

# Split C \_\_\_\_\_

# Split D \_\_\_\_\_

Date: \_\_\_\_\_



Imperial Productions®

1-800-399-7585

Imperial Productions & Distribution Inc.

email sales@imperialproductions.com copyright 2016 MRDCI All Rights Reserved