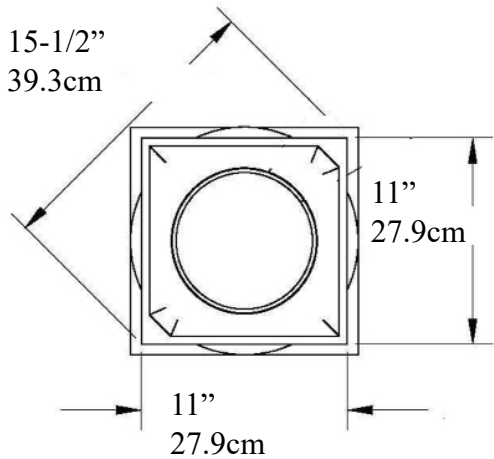




Tuscan Tapered Smooth Column

IPTUS0810S-TCTB FRP-PolyComp™

Tuscan Capital EconPolymert™



Cap 3" (7.62cm) =>

Top of Shaft

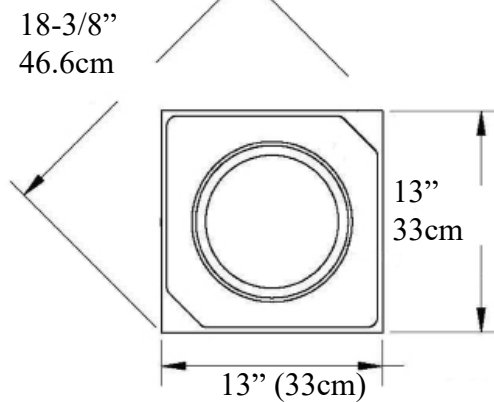
Inside Diameter

6-1/4" (15.8cm)

Outside Diameter

7-1/2" (19cm)

Tuscan Base EconPolymert™



Bottom of Column

Outside Diameter

9-5/8"

24.4cm

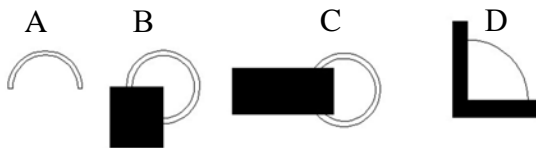
Taper Ends

from Bottom

32"

81.28cm

Optional Cuts



A= Half column

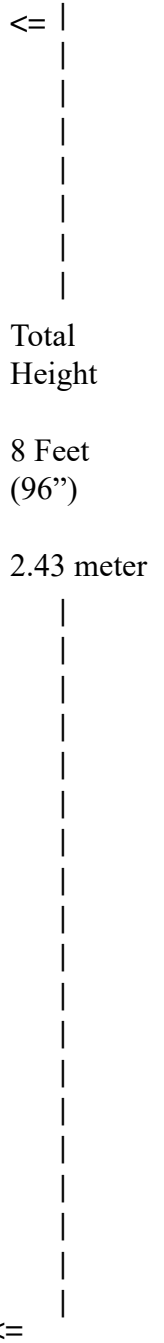
B = 3/4 Outside Corner

C = Wall Cover Engaged

D = 1/4 Column Inside Corner

Torus & Plinth

5" (12.7cm)



Weight Shaft 72 lb (32.6 Kg)

Center Loads to 14,000lbs (6.35m tons)

drawing not to scale

* For Load Application check with your structural engineer for suitability in your local area * Assembly by others

* All specifications subject to change without notice, Final products & Measurements may vary from this brochure

Copyright Imperial Productions & Distribution Inc



Imperial Productions®

1-800-399-7585

Imperial Productions & Distribution Inc.

email sales@imperialproductions.com copyright 2016 MRDCI All Rights Reserved

SEP-24



REQUEST FOR COLUMN QUOTE

Download and Auto Fill

Name / Company _____

Contact Name: _____

Phone # _____ Email: _____

Bill To Address

ShipTo Address

ZIP/PC _____

ZIP/PC _____

Product Code _____

- 1) Residential
- 2) Commercial
- 3) Commercial Load Bay

of Columns Whole _____

Fill in _____

Split for Wrap (A) _____

Notes: _____

Split for Engaged (A) _____



Split B _____

Split C _____

Split D _____

Date: _____



Imperial Productions®

1-800-399-7585

Imperial Productions & Distribution Inc.

email sales@imperialproductions.com copyright 2016 MRDCI All Rights Reserved