

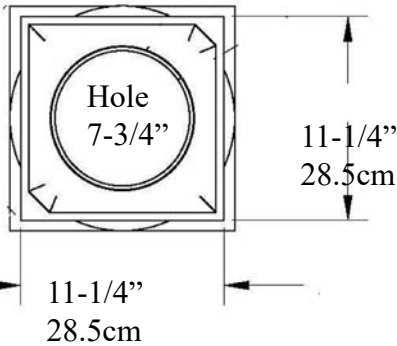


# Doric Tapered IPTUS0810S-DCAB

## PolyComp™

### Doric Capital EconPolymer

15-3/8"  
40.3cm



Cap 3-3/8" (8.5cm) =>

Top of Shaft  
Minimum  
Inside Diameter  
6-1/4" (15.8cm)

Outside Diameter  
7-1/2" (19cm)

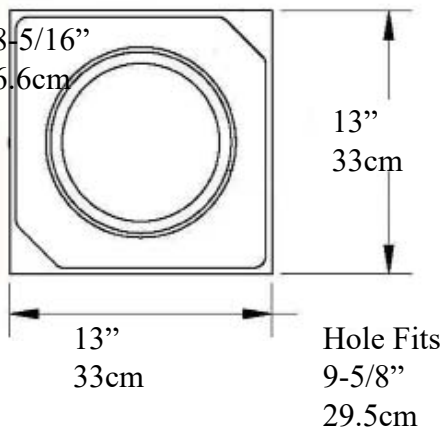
Bottom of Shaft  
Outside Diameter  
9-5/8"  
24.4cm

Weight Shaft  
72 lb (32.6 Kg)  
Center Loads to  
14,000lbs (6.35m tons)

<= |  
Total Height  
8 Feet  
96"  
2.43m

### Attic Base EconPolymer™

18-5/16"  
46.6cm



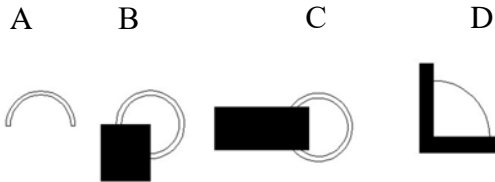
Hole Fits  
9-5/8"  
29.5cm

Weight Shaft  
72 lb (32.6 Kg)  
Center Loads to  
14,000lbs (6.35m tons)

Imperial  
Productions

Base & Plinth  
5-1/2" (13.9cm)

### Optional Cuts



- A= Half column
- B = 3/4 Outside Corner
- C = Wall Cover Engaged
- D = 1/4 Column Inside Corner
- E = Engaged any percentage

=>  
=>

<=

\* *assembly required, drawing not to scale*

\* *For Load Application check with your structural engineer for suitability in your local area*

\* All specifications subject to change without notice, Final products & Measurements may vary from this brochure



Imperial Productions®

1-800-399-7585

Imperial Productions & Distribution Inc

email sales@imperialproductions.com copyright 2016 MRDCI All Rights Reserved

JUL-24