

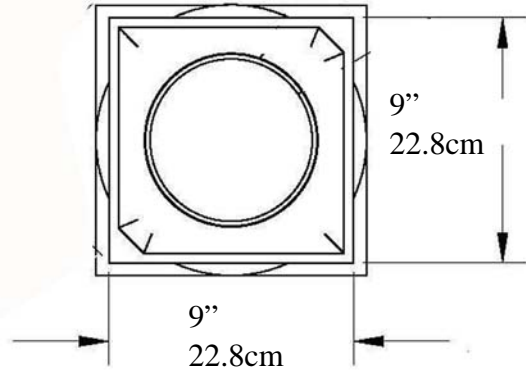


Tuscan Tapered Column

IPTUS0808S-TCTB FRP-PolyComp™

Tuscan Capital EconPolymer

12-3/4" (33cm)



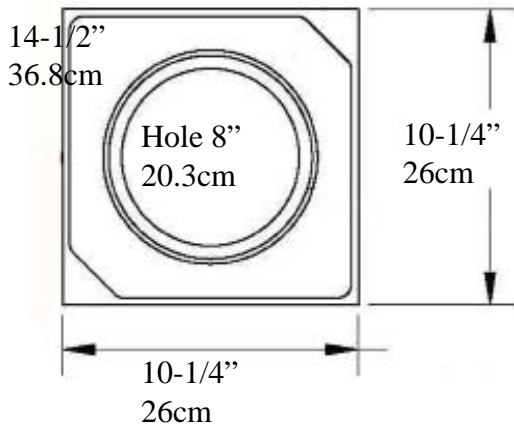
Cap 2-5/8" (6.6cm)=>

Astragal =>

Top of Shaft
Minimum
Inside Diameter
5" (12.7cm)

Outside Diameter
6-1/4" (15.8cm)

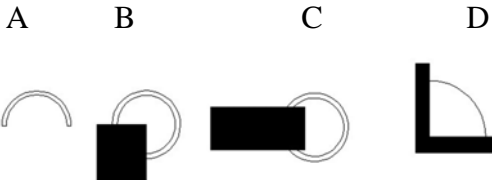
Tuscan Base EconPolymer



Taper Ends
from Bottom
@ 32"
81.28cm

Bottom of Shaft
Outside Diameter
7-5/8" (19.36cm)

Optional Cuts



- A= Half column
- B = 3/4 Outside Corner
- C = Wall Cover Engaged
- D = 1/4 Column Inside Corner
- E = Engaged any percentage

Torus & Plinth =>
4" (10cm) =>



Total Height

8 Feet (96")

2.4384m

Weight 51 lb (23.13 kg)
Load Bearing to 10,000lbs (4.5359m tons)

drawing not to scale

* For Load Application check with your structural engineer for suitability in your local area * Assembly by others

* All specifications subject to change without notice, Final products & Measurements may vary from this brochure



Imperial Productions®

1-800-399-7585

Imperial Productions & Distribution Inc

email sales@imperialproductions.com copyright 2016 MRDCI All Rights Reserved



REQUEST FOR COLUMN QUOTE

Download and Auto Fill

Name / Company _____

Contact Name: _____

Phone # _____ Email: _____

Bill To Address

ShipTo Address

ZIP/PC _____

ZIP/PC _____

Product Code _____

- 1) Residential
- 2) Commercial
- 3) Commercial Load Bay

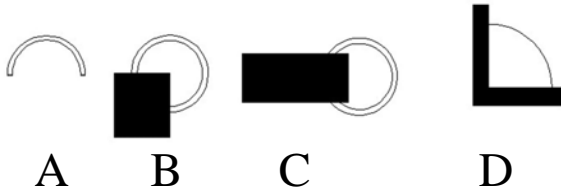
of Columns Whole _____

Fill in _____

Split for Wrap (A) _____

Notes: _____

Split for Engaged (A) _____



Split B _____

Split C _____

Split D _____

Date: _____



Imperial Productions®

1-800-399-7585

Imperial Productions & Distribution Inc.

email sales@imperialproductions.com copyright 2016 MRDCI All Rights Reserved