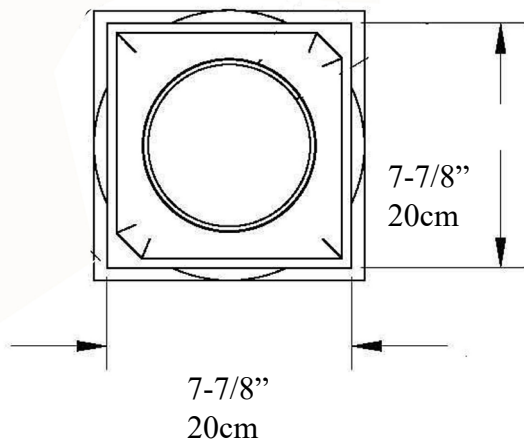




Tuscan Tapered Column

IPTUS0806S-TCTB FRP-PolyComp™

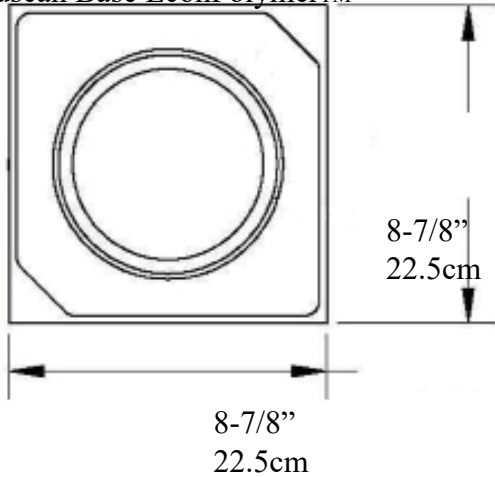
Tuscan Capital EconPolymert™



Cap 2-1/2" (6.3cm) =>

Top of Shaft
 Outside Diameter
 4" (10cm)
 Minimum
 Inside Diameter
 1-1/2" (3.8cm)

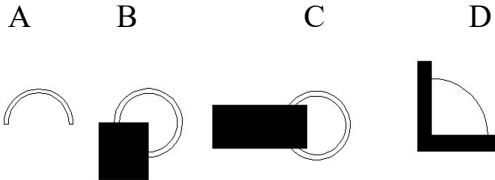
Tuscan Base EconPolymert™



Taper Ends
 from Bottom
 32"
 81.2cm

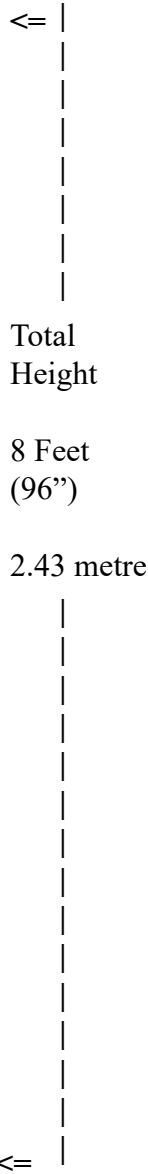
Bottom of Column
 Outside Diameter
 5-11/16"
 14.6cm

Optional Cuts



- A = Half column
- B = 3/4 Outside Corner
- C = Wall Cover Engaged
- D = 1/4 Column Inside Corner
- E = Engaged any percentage

Torus & Plinth
 3" (7.6cm)



Weight Shaft 40 lbs (18.14 Kg)
 Load Bearing Centered Load to 8,000lbs 3.62m tons

* assembly required, drawing not to scale

* For Load Application check with your structural engineer for suitability in your local area

* All specifications subject to change without notice, Final products & Measurements may vary from this brochure



Imperial Productions®

1-800-399-7585

Imperial Productions & Distribution Inc

email sales@imperialproductions.com copyright 2016 MRDCI All Rights Reserved



REQUEST FOR COLUMN QUOTE

Download and Auto Fill

Name / Company _____

Contact Name: _____

Phone # _____ Email: _____

Bill To Address

ShipTo Address

ZIP/PC _____

ZIP/PC _____

Product Code _____

- 1) Residential
- 2) Commercial
- 3) Commercial Load Bay

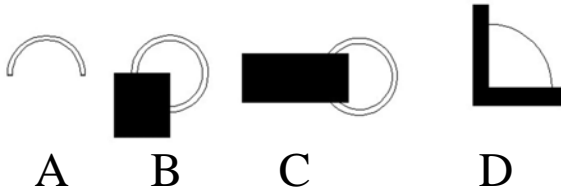
of Columns Whole _____

Fill in _____

Split for Wrap (A) _____

Notes: _____

Split for Engaged (A) _____



Split B _____

Split C _____

Split D _____

Date: _____



Imperial Productions®

1-800-399-7585

Imperial Productions & Distribution Inc.

email sales@imperialproductions.com copyright 2016 MRDCI All Rights Reserved