

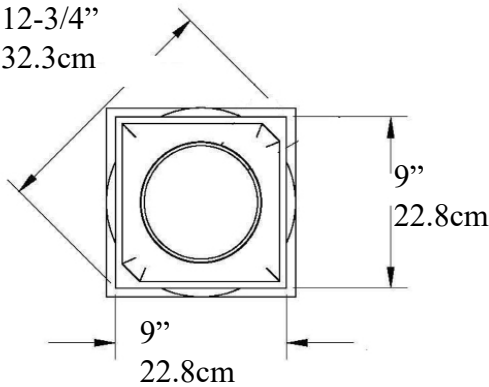


Tuscan Tapered Column

IPTUS0608S-TCTB FRP-PolyComp™

Tuscan Capital EconPolymert™

12-3/4"
32.3cm

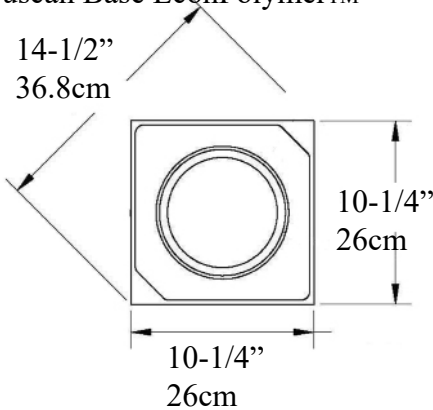


Cap 2-5/8" (6.6cm)⇒

Top of Shaft
 Outside Diameter
 6-1/4" (15.8cm)
 Minimum
 Inside Diameter
 5" (12.7cm)

Tuscan Base EconPolymert™

14-1/2"
36.8cm



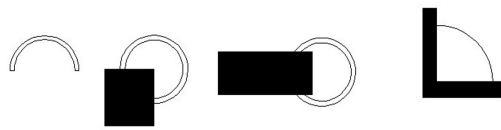
Bottom of Column
 Outside Diameter
 7-5/8"
 19.3cm

Weight Shaft
 41 lb (18.5 Kg)

Centered Load to
 10,000lbs (4.53m tons)

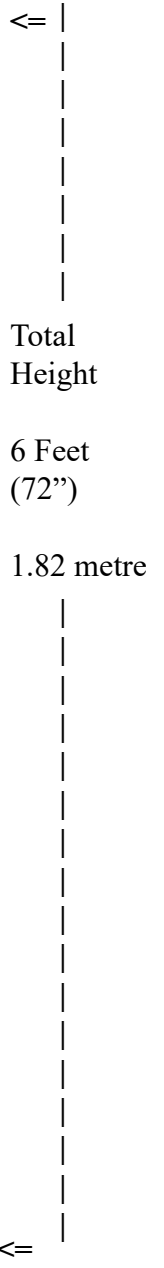
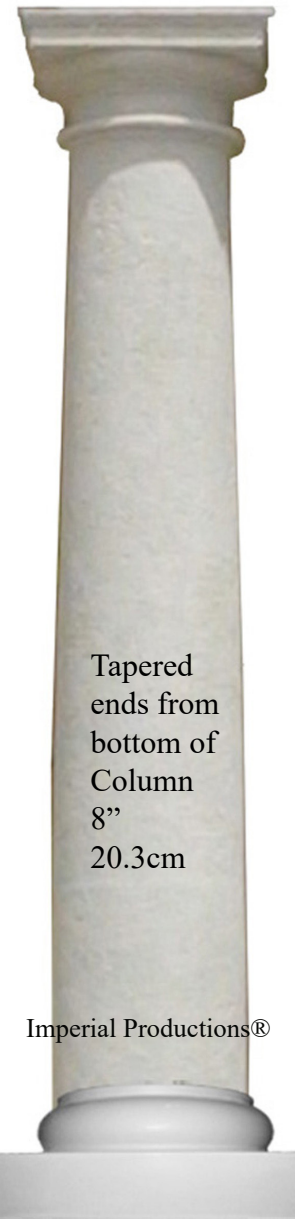
Optional Cuts

A B C D



- A= Half column
- B = 3/4 Outside Corner
- C = Wall Cover Engaged
- D = 1/4 Column Inside Corner
- E = Engaged any percentage

Torus & Plinth
 4" (10cm)



Imperial Productions®

* *assembly required, drawing not to scale - all loads must be centered under lintel*

* *For Load Application check with your structural engineer for suitability in your local area*

* All specifications subject to change without notice, Final products & Measurements may vary from this brochure



Imperial Productions®

1-800-399-7585

Imperial Productions & Distribution Inc

email sales@imperialproductions.com copyright 2016 MRDCI All Rights Reserved



REQUEST FOR COLUMN QUOTE

Download and Auto Fill

Name / Company _____

Contact Name: _____

Phone # _____ Email: _____

Bill To Address

ShipTo Address

ZIP/PC _____

ZIP/PC _____

Product Code _____

- 1) Residential
- 2) Commercial
- 3) Commercial Load Bay

of Columns Whole _____

Fill in _____

Split for Wrap (A) _____

Notes: _____

Split for Engaged (A) _____



Split B _____

Split C _____

Split D _____

Date: _____



Imperial Productions®

1-800-399-7585

Imperial Productions & Distribution Inc.

email sales@imperialproductions.com copyright 2016 MRDCI All Rights Reserved