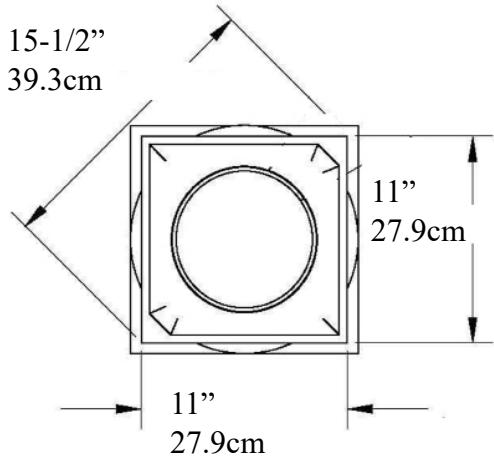




Tuscan Tapered Column

IPTUS0510-TCTB FRP-PolyComp™

Tuscan Capital EconPolymert™

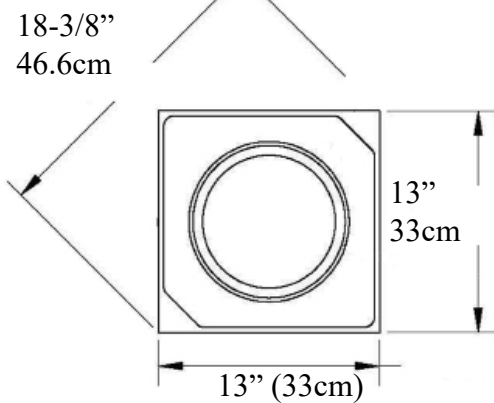


Cap 3" (7.62cm) =>

Top of Shaft
Minimum
Inside Diameter
6-1/4" (15.8cm)

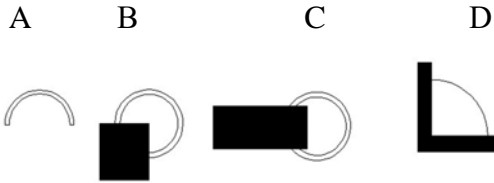
Outside Diameter
7-1/2" (19cm)

Tuscan Base EconPolymert™



Bottom of Column
Outside Diameter
9-5/8"
24.4cm

Optional Cuts



- A = Half column
- B = 3/4 Outside Corner
- C = Wall Cover Engaged
- D = 1/4 Column Inside Corner
- E = Engaged any percentage



Weight Shaft 53 lb (24 Kg)
Center Loads to 14,000lbs (6.35m tons)

drawing not to scale

* For Load Application check with your structural engineer for suitability in your local area * Assembly by others

* All specifications subject to change without notice, Final products & Measurements may vary from this brochure
Copyright MRDCI Martin Richards Design



Imperial Productions®

1-800-399-7585

Imperial Productions & Distribution Inc

email sales@imperialproductions.com copyright 2016 MRDCI All Rights Reserved



REQUEST FOR COLUMN QUOTE

Download and Auto Fill

Name / Company _____

Contact Name: _____

Phone # _____ Email: _____

Bill To Address

ShipTo Address

ZIP/PC _____

ZIP/PC _____

Product Code _____

- 1) Residential
- 2) Commercial
- 3) Commercial Load Bay

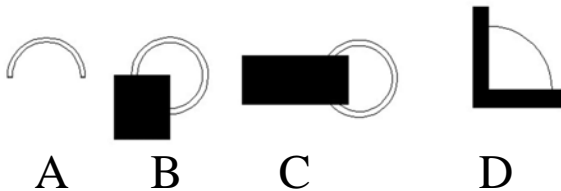
of Columns Whole _____

Fill in _____

Split for Wrap (A) _____

Notes: _____

Split for Engaged (A) _____



Split B _____

Split C _____

Split D _____

Date: _____



Imperial Productions®

1-800-399-7585

Imperial Productions & Distribution Inc.

email sales@imperialproductions.com copyright 2016 MRDCI All Rights Reserved