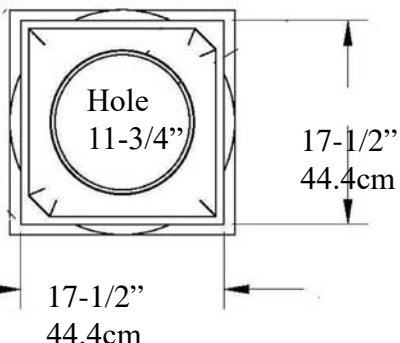




Doric Smooth Tapered IPDOR1614S-FG FRP-PolyComp™

Doric Capital Fiberglass

24-3/4"
62.8cm



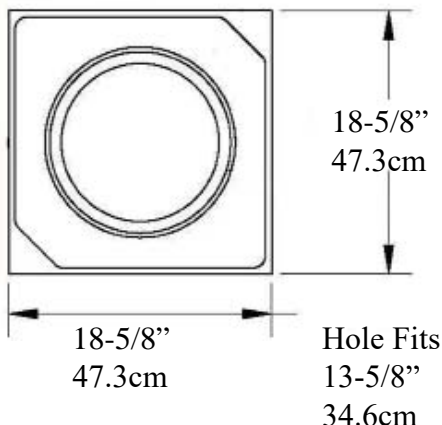
Cap 4-3/4" (12cm)=>

Top of Shaft
Minimum
Inside Diameter
9-1/2" (24.13cm)

Outside Diameter
11-1/2" (29.2cm)

Attic Base EconPolymertm

Diagonal
26-5/16"
66.8cm



Bottom of Column
Outside Diameter
13-5/8"
34.6cm

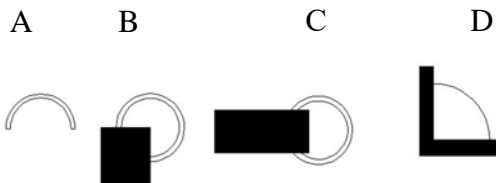
Taper Ends
from Bottom
approximately
63"
160cm

Total
Height

16 Feet
4.876
meter

Imperial
Productions

Optional Cuts



A= Half column

B = 3/4 Outside Corner

C = Wall Cover Engaged

D = 1/4 Column Inside Corner

E = Engaged any percentage

Base & Plinth
9-1/16" (23cm)

Weight Shaft 226 lb (102.5 Kg)
Centered Load to 20,000lbs (9.07m tons)

* *assembly required, drawing not to scale*

* *For Load Application check with your structural engineer for suitability in your local area*

* All specifications subject to change without notice, Final products & Measurements may vary from this brochure



Imperial Productions®

1-800-399-7585

Imperial Productions & Distribution Inc

email sales@imperialproductions.com copyright 2016 MRDCI All Rights Reserved

JUL-24



REQUEST FOR COLUMN QUOTE

Download and Auto Fill

Name / Company _____

Contact Name: _____

Phone # _____ Email: _____

Bill To Address

ShipTo Address

ZIP/PC _____

ZIP/PC _____

Product Code _____

- 1) Residential
- 2) Commercial
- 3) Commercial Load Bay

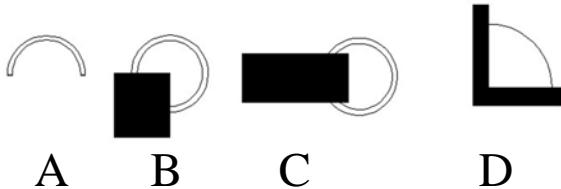
of Columns Whole _____

Fill in _____

Split for Wrap (A) _____

Notes: _____

Split for Engaged (A) _____



Split B _____

Split C _____

Split D _____

Date: _____



Imperial Productions®

1-800-399-7585

Imperial Productions & Distribution Inc.

email sales@imperialproductions.com copyright 2016 MRDCI All Rights Reserved