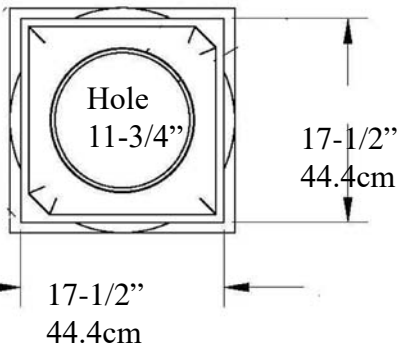




Doric Smooth Tapered IPDOR1414S-FG FRP-PolyComp™

Doric Capital Fiberglass

24-3/4"
62.8cm



Cap 4-3/4" (12cm)=>

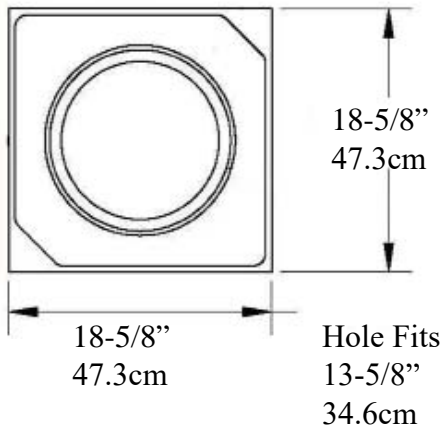
Top of Shaft
Minimum
Inside Diameter
9-1/2" (24.13cm)

Outside Diameter
11-1/2" (29.2cm)

Bottom of Column
Outside Diameter
13-5/8"
34.6cm

Attic Base EconPolymertm

Diagonal
26-5/16"
66.8cm



Taper Ends
from Bottom
39"
99cm

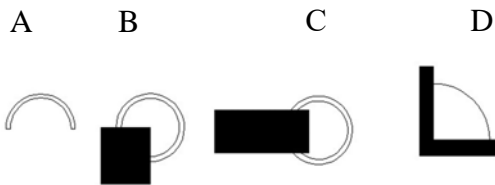
Weight Shaft
199 lb (90.26 Kg)
Center Loads to
20,000lbs (9.07m tons)

Base & Plinth
9-1/16" (23cm)

<= |
Total Height
14 Feet
4.267m

Imperial
Productions

Optional Cuts



- A= Half column
- B = 3/4 Outside Corner
- C = Wall Cover Engaged
- D = 1/4 Column Inside Corner
- E = Engaged any percentage

=>
=>

<=

* *assembly required, drawing not to scale*

* *For Load Application check with your structural engineer for suitability in your local area*

* All specifications subject to change without notice, Final products & Measurements may vary from this brochure



Imperial Productions®

1-800-399-7585

Imperial Productions & Distribution Inc

email sales@imperialproductions.com copyright 2016 MRDCI All Rights Reserved

JUL-24



REQUEST FOR COLUMN QUOTE

Download and Auto Fill

Name / Company _____

Contact Name: _____

Phone # _____ Email: _____

Bill To Address

ShipTo Address

ZIP/PC _____

ZIP/PC _____

Product Code _____

- 1) Residential
- 2) Commercial
- 3) Commercial Load Bay

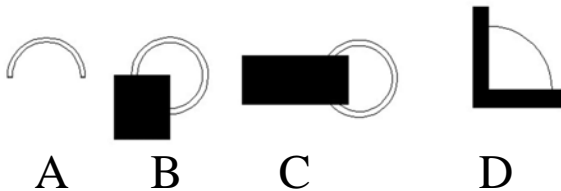
of Columns Whole _____

Fill in _____

Split for Wrap (A) _____

Notes: _____

Split for Engaged (A) _____



Split B _____

Split C _____

Split D _____

Date: _____



Imperial Productions®

1-800-399-7585

Imperial Productions & Distribution Inc.

email sales@imperialproductions.com copyright 2016 MRDCI All Rights Reserved