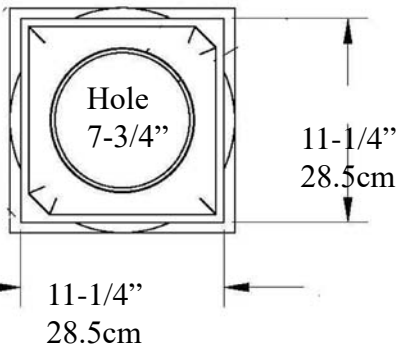




# Doric Smooth Tapered IPDOR1210S-FG FRP-PolyComp™

## Doric Capital FiberComp™

15-3/8"  
40.3cm



Cap 3-3/8" (8.5cm) =>

Top of Shaft  
Minimum  
Inside Diameter  
6-1/4" (15.8cm)

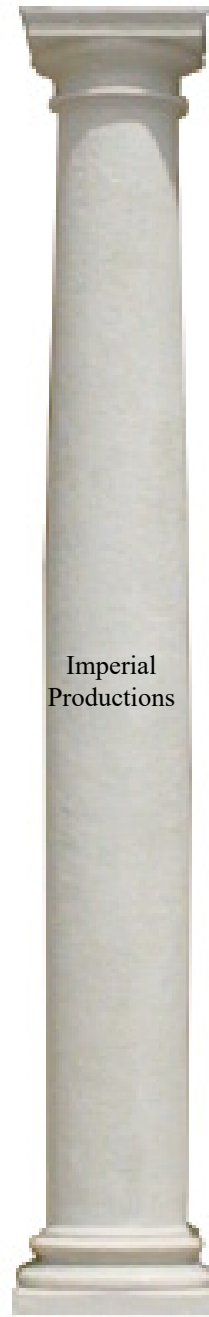
Outside Diameter  
7-1/2" (19cm)

Bottom of Column  
Outside Diameter  
9-5/8"  
24.4cm

Taper Ends from  
shaft bottom  
48"  
121.9cm

Weight Shaft  
126 lb (57.15 Kg)  
Center Loads to  
14,000lbs (6.35m tons)

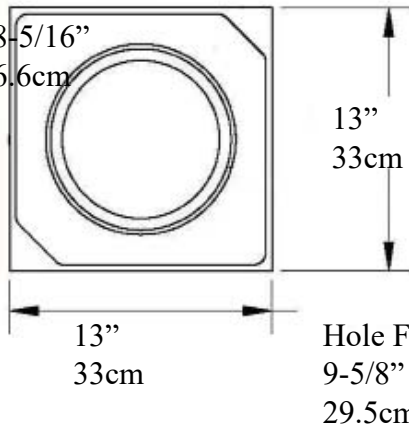
Base & Plinth  
5-1/2" (13.9cm)



<= |  
Total Height  
12 Feet  
144"  
3.657m

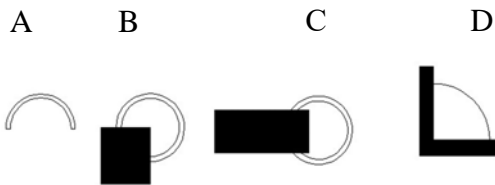
## Attic Base EconPolymert™

18-5/16"  
46.6cm



Hole Fits  
9-5/8"  
29.5cm

## Optional Cuts



- A= Half column
- B = 3/4 Outside Corner
- C = Wall Cover Engaged
- D = 1/4 Column Inside Corner
- E = Engaged any percentage

\* *assembly required, drawing not to scale*

\* *For Load Application check with your structural engineer for suitability in your local area*

\* All specifications subject to change without notice, Final products & Measurements may vary from this brochure



Imperial Productions®

1-800-399-7585

Imperial Productions & Distribution Inc

email sales@imperialproductions.com copyright 2016 MRDCI All Rights Reserved

JUL-24



# REQUEST FOR COLUMN QUOTE

## Download and Auto Fill

Name / Company \_\_\_\_\_

Contact Name: \_\_\_\_\_

Phone # \_\_\_\_\_ Email: \_\_\_\_\_

Bill To Address  
\_\_\_\_\_  
\_\_\_\_\_

ShipTo Address  
\_\_\_\_\_  
\_\_\_\_\_

ZIP/PC \_\_\_\_\_

ZIP/PC \_\_\_\_\_

Product Code \_\_\_\_\_

- 1) Residential
- 2) Commercial
- 3) Commercial Load Bay

# of Columns Whole \_\_\_\_\_

Fill in \_\_\_\_\_

# Split for Wrap (A) \_\_\_\_\_

Notes: \_\_\_\_\_

# Split for Engaged (A) \_\_\_\_\_

\_\_\_\_\_  
\_\_\_\_\_



# Split B \_\_\_\_\_

# Split C \_\_\_\_\_

# Split D \_\_\_\_\_

Date: \_\_\_\_\_



Imperial Productions®

1-800-399-7585

Imperial Productions & Distribution Inc.

email sales@imperialproductions.com copyright 2016 MRDCI All Rights Reserved