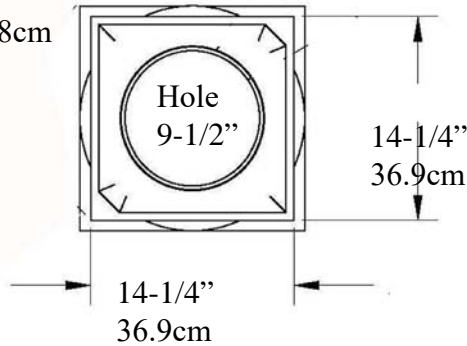




Doric Smooth Tapered IPDOR1012S-FG FRP-PolyComp™

Doric Capital EconPolymertm

20"
50.8cm



Cap 4-3/8" (11.1cm) =>

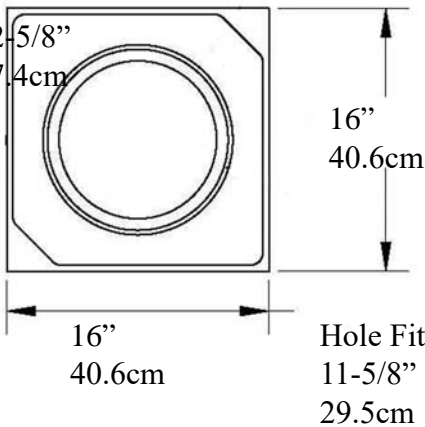
Top of Shaft
Minimum
Inside Diameter
8" (20.3cm)

Outside Diameter
9-1/4" (24.4cm)

Bottom of Column
Outside Diameter
11-5/8"
29.5cm

Attic Base EconPolymertm

22 5/8"
57.4cm

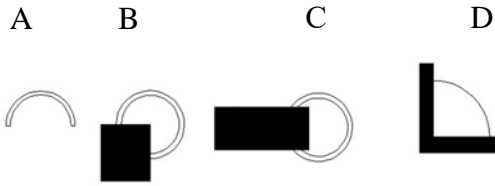


Weight Shaft
132 lb (59.8 Kg)
Center Loads to
18,000lbs (8.16m tons)

<= |
Total Height
10 Feet
120"
3.048m

Imperial
Productions

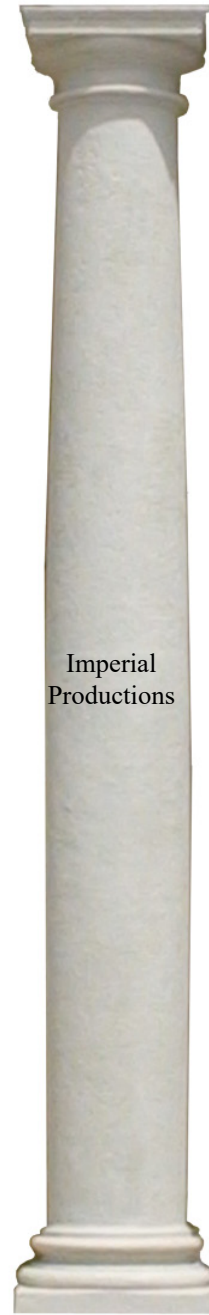
Optional Cuts



- A= Half column
- B = 3/4 Outside Corner
- C = Wall Cover Engaged
- D = 1/4 Column Inside Corner
- E = Engaged any percentage

Base & Plinth
6-1/2" (16.5cm)

=>
=>



<=

* *assembly required, drawing not to scale*

* *For Load Application check with your structural engineer for suitability in your local area*

* All specifications subject to change without notice, Final products & Measurements may vary from this brochure



Imperial Productions®

1-800-399-7585

Imperial Productions & Distribution Inc

email sales@imperialproductions.com

copyright 2016 MRDCI All Rights Reserved

JUL-24



REQUEST FOR COLUMN QUOTE

Download and Auto Fill

Name / Company _____

Contact Name: _____

Phone # _____ Email: _____

Bill To Address

ShipTo Address

ZIP/PC _____

ZIP/PC _____

Product Code _____

- 1) Residential
- 2) Commercial
- 3) Commercial Load Bay

of Columns Whole _____

Fill in _____

Split for Wrap (A) _____

Notes: _____

Split for Engaged (A) _____



Split B _____

Split C _____

Split D _____

Date: _____



Imperial Productions®

1-800-399-7585

Imperial Productions & Distribution Inc.

email sales@imperialproductions.com copyright 2016 MRDCI All Rights Reserved