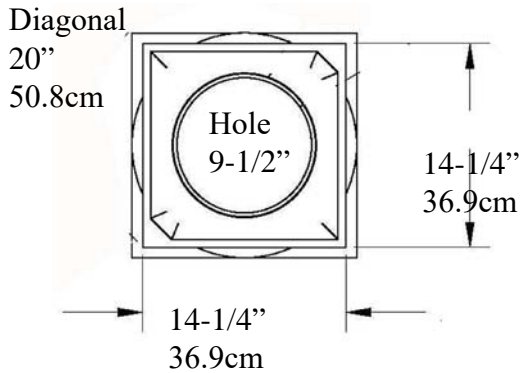




# Doric Smooth Tapered IPDOR0912S-FG FRP-PolyComp™

## Doric Capital EconPolymertm

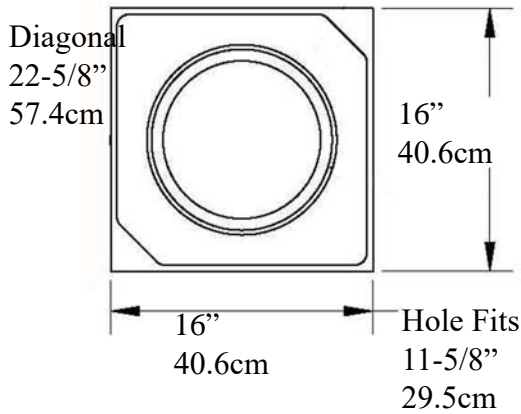


Cap 4-3/8" (11.1cm) =>

Top of Shaft  
Minimum  
Inside Diameter  
8" (20.3cm)

Outside Diameter  
9-1/4" (24.4cm)

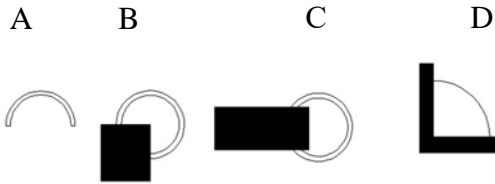
## Attic Base EconPolymertm



Bottom of Column  
Outside Diameter  
11-5/8"  
29.5cm

Taper Ends @  
28"  
71.12cm

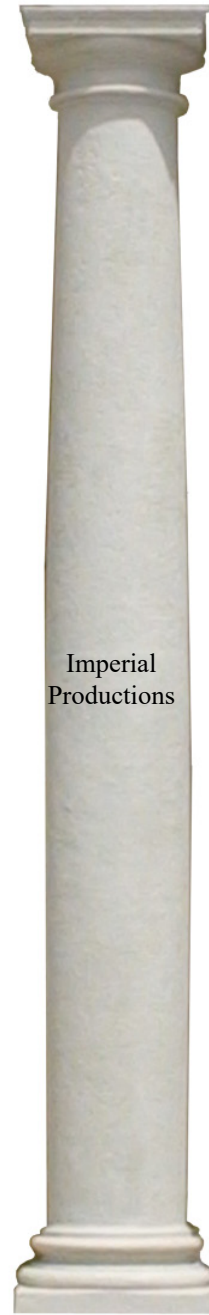
## Optional Cuts



- A= Half column
- B = 3/4 Outside Corner
- C = Wall Cover Engaged
- D = 1/4 Column Inside Corner
- E = Engaged any percentage

Weight Shaft  
126 lb (57 Kg)  
Center Loads to  
18,000lbs (8.16m tons)

Base & Plinth  
6-1/2" (16.5cm)



<= |  
Total Height  
9 Feet  
108"  
2.743m

|  
=>  
=>  
=<

\* *assembly required, drawing not to scale*

\* *For Load Application check with your structural engineer for suitability in your local area*

\* All specifications subject to change without notice, Final products & Measurements may vary from this brochure



Imperial Productions®

1-800-399-7585

Imperial Productions & Distribution Inc

email sales@imperialproductions.com copyright 2016 MRDCI All Rights Reserved

JUL-24



# REQUEST FOR COLUMN QUOTE

## Download and Auto Fill

Name / Company \_\_\_\_\_

Contact Name: \_\_\_\_\_

Phone # \_\_\_\_\_ Email: \_\_\_\_\_

Bill To Address  
\_\_\_\_\_  
\_\_\_\_\_

ShipTo Address  
\_\_\_\_\_  
\_\_\_\_\_

ZIP/PC \_\_\_\_\_

ZIP/PC \_\_\_\_\_

Product Code \_\_\_\_\_

- 1) Residential
- 2) Commercial
- 3) Commercial Load Bay

# of Columns Whole \_\_\_\_\_

Fill in \_\_\_\_\_

# Split for Wrap (A) \_\_\_\_\_

Notes: \_\_\_\_\_

# Split for Engaged (A) \_\_\_\_\_

\_\_\_\_\_  
\_\_\_\_\_



# Split B \_\_\_\_\_

# Split C \_\_\_\_\_

# Split D \_\_\_\_\_

Date: \_\_\_\_\_



Imperial Productions®

1-800-399-7585

Imperial Productions & Distribution Inc.

email sales@imperialproductions.com copyright 2016 MRDCI All Rights Reserved