

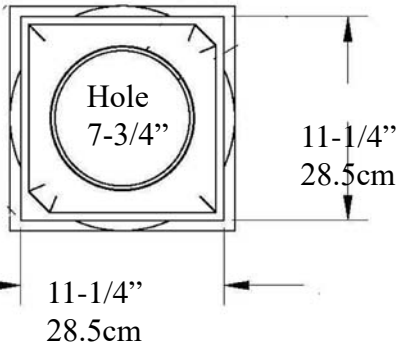


Doric Tapered

IPDOR0610S-FG FRP-PolyComp™

Doric Capital FiberComp™

15-3/8"
40.3cm



Cap 3-3/8" (8.5cm) =>

Top of Shaft

Minimum

Inside Diameter

6-1/4" (15.8cm)

Outside Diameter

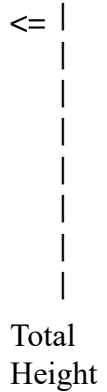
7-1/2" (19cm)

Bottom of Column

Outside Diameter

9-5/8"

24.4cm



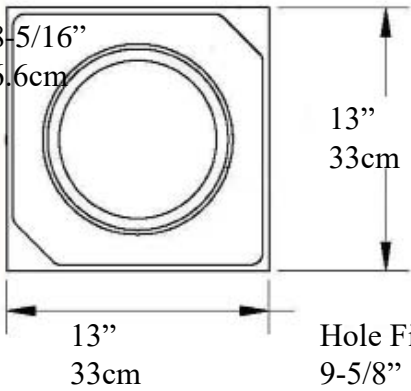
Total Height

6 Feet
72"

1.828m

Attic Base EconPolymert™

18-5/16"
46.6cm



Hole Fits
9-5/8"
29.5cm

Weight Shaft

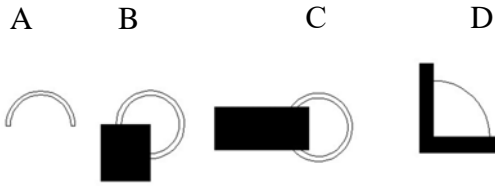
72 lb (32.6 Kg)

Center Loads to

14,000lbs (6.35m tons)

Imperial
Productions

Optional Cuts



A= Half column

B = 3/4 Outside Corner

C = Wall Cover Engaged

D = 1/4 Column Inside Corner

E = Engaged any percentage

Base & Plinth

5-1/2" (13.9cm)



* *assembly required, drawing not to scale*

* *For Load Application check with your structural engineer for suitability in your local area*

* All specifications subject to change without notice, Final products & Measurements may vary from this brochure



Imperial Productions®

1-800-399-7585

Imperial Productions & Distribution Inc

email sales@imperialproductions.com copyright 2016 MRDCI All Rights Reserved



REQUEST FOR COLUMN QUOTE

Download and Auto Fill

Name / Company _____

Contact Name: _____

Phone # _____ Email: _____

Bill To Address

ShipTo Address

ZIP/PC _____

ZIP/PC _____

Product Code _____

- 1) Residential
- 2) Commercial
- 3) Commercial Load Bay

of Columns Whole _____

Fill in _____

Split for Wrap (A) _____

Notes: _____

Split for Engaged (A) _____



Split B _____

Split C _____

Split D _____

Date: _____



Imperial Productions®

1-800-399-7585

Imperial Productions & Distribution Inc.

email sales@imperialproductions.com copyright 2016 MRDCI All Rights Reserved