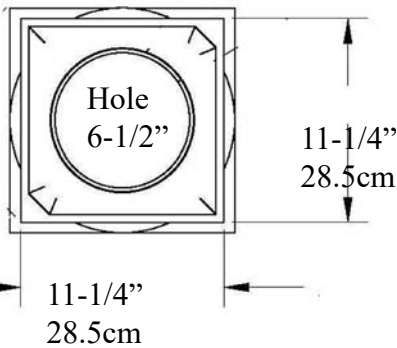




Doric Smooth Tapered IPDOR0510S-FG FRP-PolyComp™

Doric Capital FiberComp™

15-3/8"
40.3cm



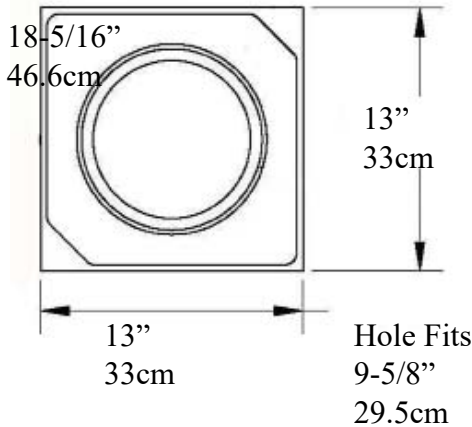
Cap 3-3/8" (8.5cm) =>

Top of Shaft
Minimum
Inside Diameter
6-1/4" (15.8cm)

Outside Diameter
7-1/2" (19cm)

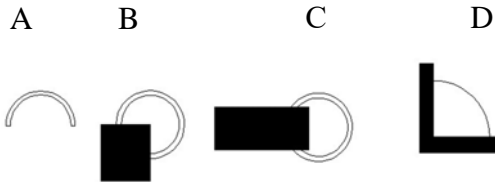
Bottom of Column
Outside Diameter
9-5/8"
24.4cm

Attic Base EconPolymert™



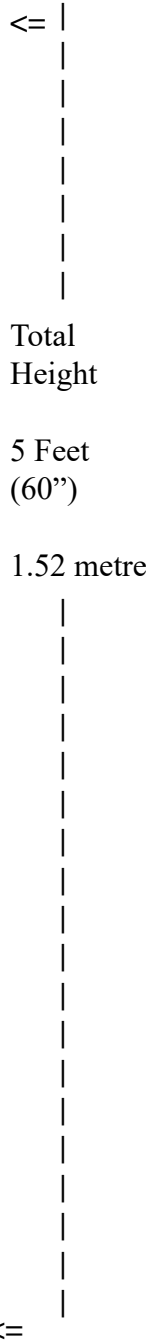
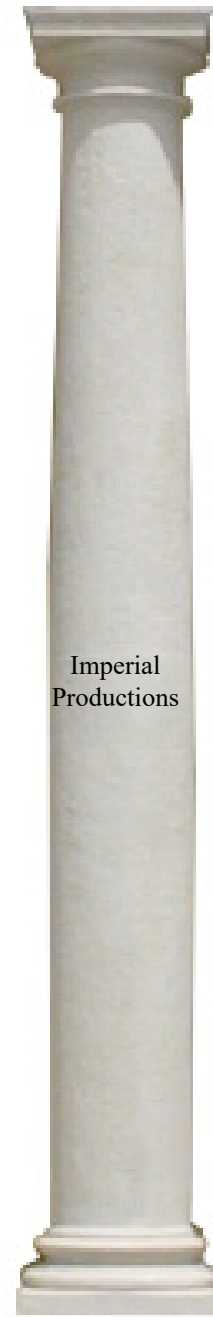
Weight Shaft
53 lb (24 Kg)
Center Loads to
14,000lbs (6.35m tons)

Optional Cuts



- A= Half column
- B = 3/4 Outside Corner
- C = Wall Cover Engaged
- D = 1/4 Column Inside Corner
- E = Engaged any percentage

Base & Plinth
5-1/2" (13.9cm)



* *assembly required, drawing not to scale*

* *For Load Application check with your structural engineer for suitability in your local area*

* All specifications subject to change without notice, Final products & Measurements may vary from this brochure



Imperial Productions®

1-800-399-7585

Imperial Productions & Distribution Inc

email sales@imperialproductions.com copyright 2016 MRDCI All Rights Reserved



REQUEST FOR COLUMN QUOTE

Download and Auto Fill

Name / Company _____

Contact Name: _____

Phone # _____ Email: _____

Bill To Address

ShipTo Address

ZIP/PC _____

ZIP/PC _____

Product Code _____

- 1) Residential
- 2) Commercial
- 3) Commercial Load Bay

of Columns Whole _____

Fill in _____

Split for Wrap (A) _____

Notes: _____

Split for Engaged (A) _____



Split B _____

Split C _____

Split D _____

Date: _____



Imperial Productions®

1-800-399-7585

Imperial Productions & Distribution Inc.

email sales@imperialproductions.com copyright 2016 MRDCI All Rights Reserved