



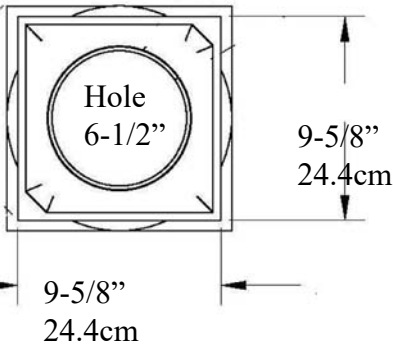
Doric Smooth Tapered

IPDOR0508S-FG

FRP-PolyComp™

Doric Capital FiberComp™

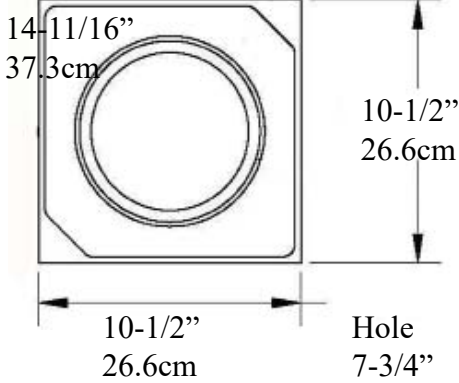
13-3/16"
33.5cm



Cap 3" (7.6cm) =>

Top of Shaft
 Outside Diameter
 6-1/4" (15.8cm)
 Minimum
 Inside Diameter
 5" (12.7cm)

Attic Base EconPolymert™

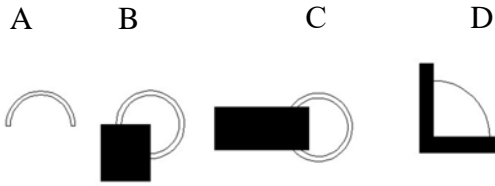


Bottom of Column
 Outside Diameter
 7-5/8"
 19.3cm

Weight Shaft
 38 lb (17.2 Kg)

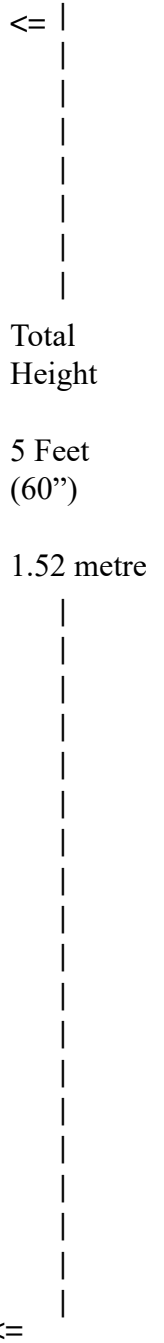
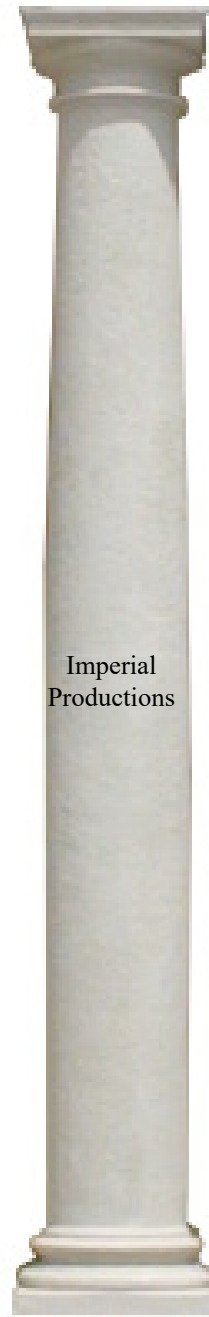
Centered Load to
 10,000lbs (4.53m tons)

Optional Cuts



- A= Half column
- B = 3/4 Outside Corner
- C = Wall Cover Engaged
- D = 1/4 Column Inside Corner
- E = Engaged any percentage

Base & Plinth
 4-3/8" (37.3cm)



* *assembly required, drawing not to scale*

* *For Load Application check with your structural engineer for suitability in your local area*

* All specifications subject to change without notice, Final products & Measurements may vary from this brochure



Imperial Productions®

1-800-399-7585

Imperial Productions & Distribution Inc

email sales@imperialproductions.com copyright 2016 MRDCI All Rights Reserved



REQUEST FOR COLUMN QUOTE

Download and Auto Fill

Name / Company _____

Contact Name: _____

Phone # _____ Email: _____

Bill To Address

ShipTo Address

ZIP/PC _____

ZIP/PC _____

Product Code _____

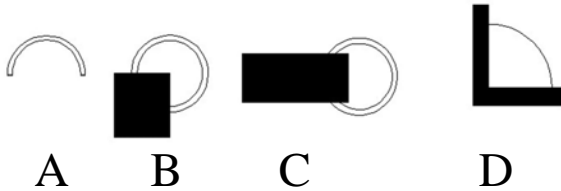
- 1) Residential
 - 2) Commercial
 - 3) Commercial Load Bay
- Fill in _____

of Columns Whole _____

Split for Wrap (A) _____

Split for Engaged (A) _____

Notes: _____



Split B _____

Split C _____

Split D _____

Date: _____



Imperial Productions®

1-800-399-7585

Imperial Productions & Distribution Inc.

email sales@imperialproductions.com copyright 2016 MRDCI All Rights Reserved