

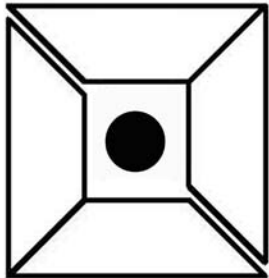


# Smooth Square (Load Bearing)

## IPAPSQL0806S-TBTC ArchPolymer™

### Tuscan Capital

8-3/4" x 8-3/4"  
22.3cm x 22.2cm



Inside Square  
2-1/4"  
5.71cm

Capital Height  
1-7/8" (4.76cm)

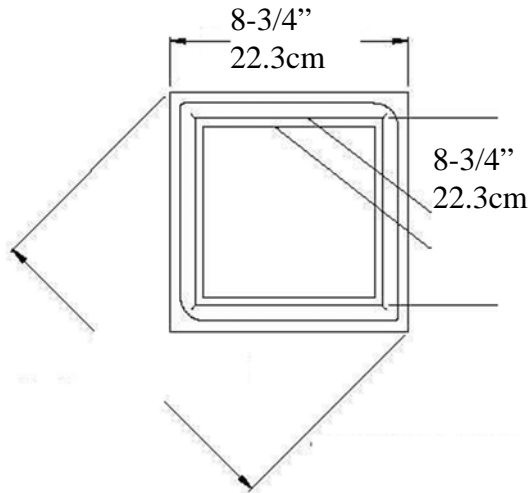
Astragal =>  
From Top 6-1/2" (16.5cm)

Shaft  
Inside  
4" x 4" (10.16cm)

Shaft Outside  
6" x 6" (15.24cm)

Internal Metal  
Pipe 2-7/8"  
Load 10,000lbs  
4.535kg

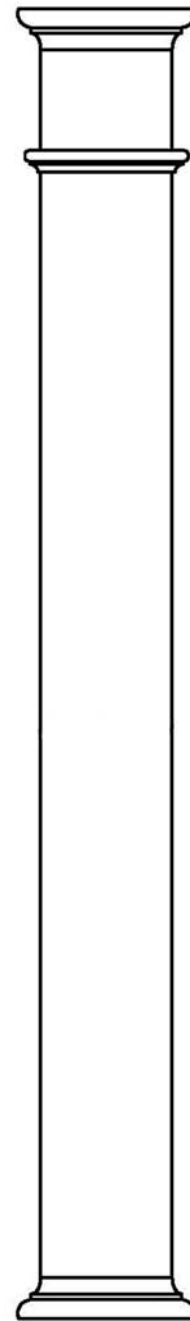
### Tuscan Base



approx material thickness 1" (2.54cm)

Sold Split on  
the Diagonal  
Assembly by  
others

Base & Plinth  
Height  
1-7/8" (4.76cm)



<=  
Total Height  
8 Feet (96")  
2.438m  
=>  
<=

- \* Includes 3 Parts - Sold as Unfinished Building Components - assembly & hardware by others, drawing not to scale
- \* Load from lintels must be centered on shaft to avoid uneven load displacement - Substrate must be even  
For any Load Application consult with your structural engineer for suitability and local building codes requirements
- \* To avoid Lateral Movement: Affix Shaft Bottom to substrate with L Brackets hidden by Base, Affix Top of Shaft to Lintel
- \* All specifications subject to change without notice, Final products & Measurements may vary from this brochure



Imperial Productions®

1-800-399-7585

Imperial Productions & Distribution Inc.

email sales@imperialproductions.com copyright 2016 MRDCI All Rights Reserved

APR-23