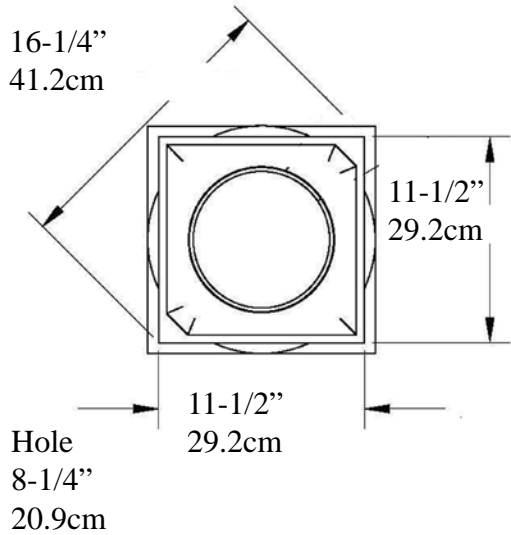




Doric Capital



Capital Height
2-3/4" (6.9cm)=>

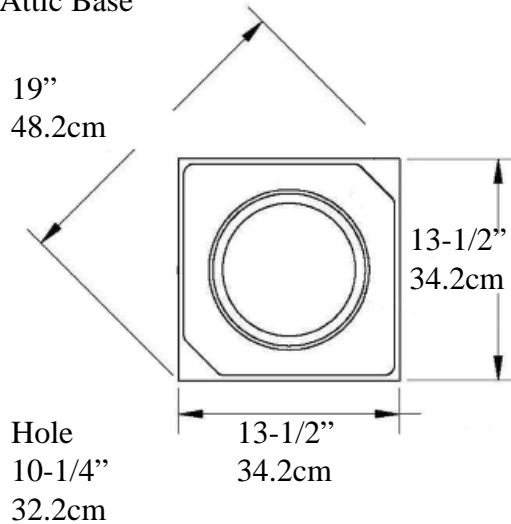
Astragal =>

Included
Applied by others

Top of Shaft
Inside Diameter
5" (12.7cm)

Outside Diameter
8" (20.32cm)

Attic Base

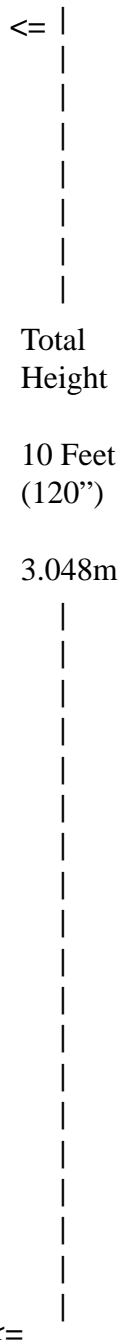
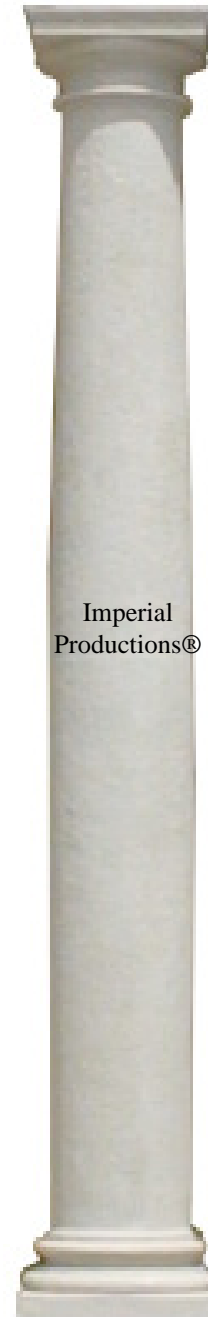


Bottom of Shaft
Inside Diameter
8" (20.32cm)

Outside Diameter
10" (25.4cm)

Decorative - shaft split

Torus & Plinth =>
5-5/8" (14.2cm)



* Drawing not to scale

Primed White: Supplied in 5 Parts - sold as an Unfinished Building Material - Assembly and Hardware by others
Shafts are Split, Astragal Applied by others, Doric Capital and Attic Base are Hollow and Whole
Secure Shaft top to lintel and Bottom to Substrate
All Specifications subject to change without notice, Final product and measurement may vary from this brochure

