



Tower of the Winds (common name Temple Winds)

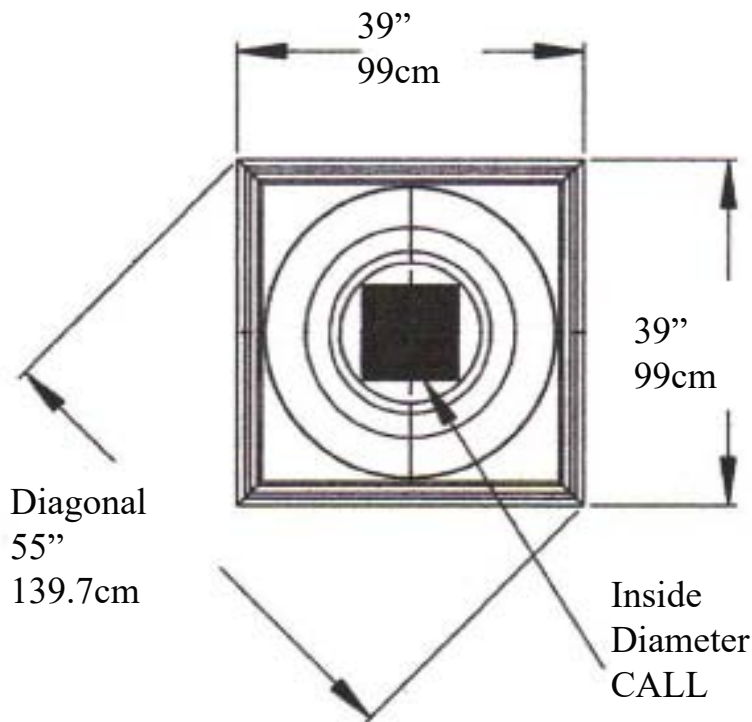
IPTW030 PolyComptm



Total
Height
30"
76.2cm

Bottom Circle 27-1/2" (69.8cm)

Fits Top of Column
20" (50.8cm)



* All specifications subject to change without notice,
Final products & Measurements may vary from this brochure Manufacturing tolerences +/- 1/8" (.31cm)



Imperial Productions®

1-800-399-7585

Imperial Productions & Distribution Inc.

email sales@imperialproductions.com copyright 2016 MRDCI All Rights Reserved

APR-24