



# Tower of the Winds (common name Temple Winds)

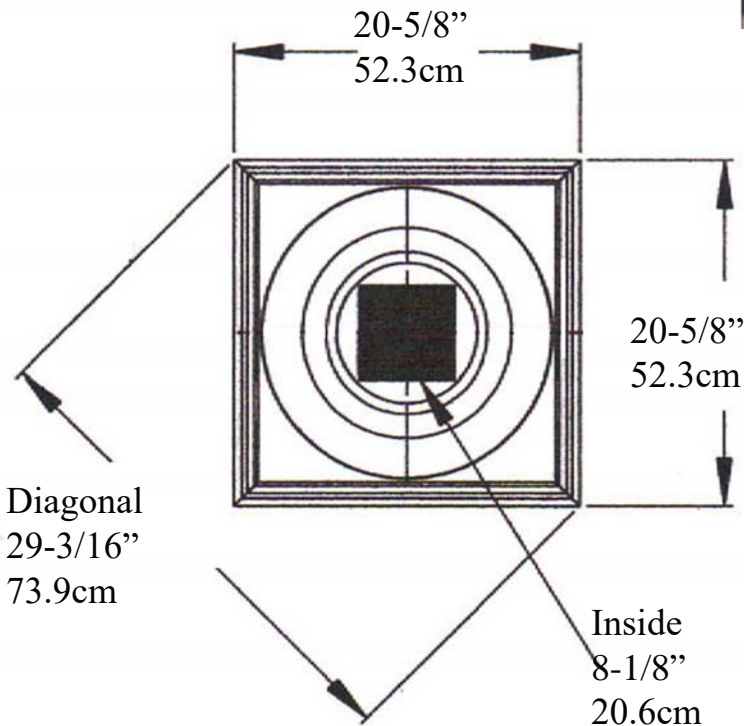
## IPPCTW14 PolyComp™



Total  
Height  
14-1/2"  
36.8cm

PolyComp™ is made from  
75% calcium carbonate  
5% marble chips  
20% Fiberglass Resins  
Weight 50lbs

Bottom Circle Outside Diameter 11-5/8" (29.5cm)  
Plug Diameter 9-5/8"  
Plug Height 3/4" (1.9cm)  
Inside Diameter 8-1/8" (20.6cm)



\* All specifications subject to change without notice,  
Final products & Measurements may vary from this brochure Manufacturing tolerences +/- 1/8" (.31cm)



Imperial Productions®

1-800-399-7585

Imperial Productions & Distribution Inc.

email sales@imperialproductions.com copyright 2016 MRDCI All Rights Reserved

APR-24